



MOTOROLA

Advance Information

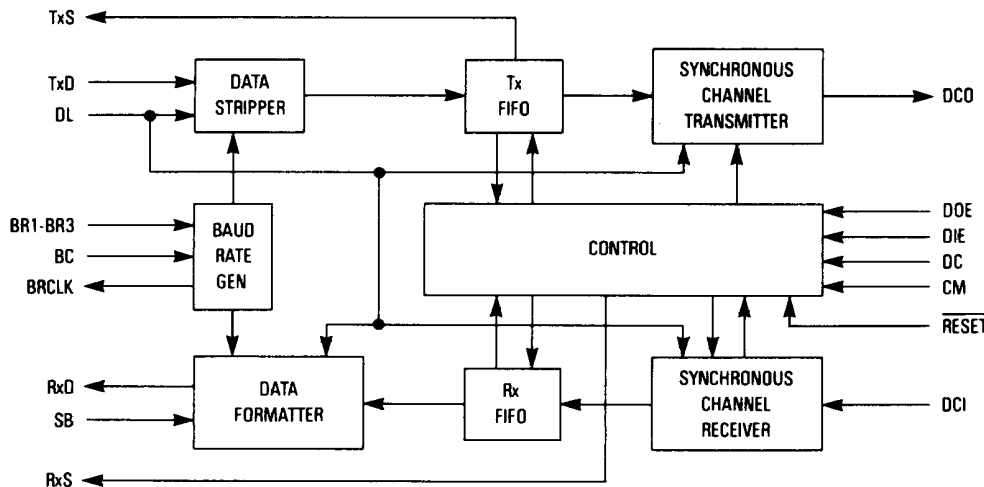
Data Set Interface

**Asynchronous-To-Synchronous
Synchronous-To-Asynchronous Converter**

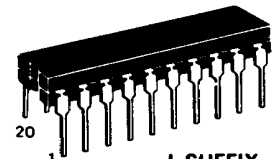
The MC145428 Data Set Interface provides asynchronous to synchronous and synchronous to asynchronous data conversion. It is ideally suited for voice/data digital telsets supplying an RS-232 compatible data port into a synchronous transmission link. Other applications include, data multiplexers, concentrators, data-only switching and PBX-based local area networks. This low power CMOS device directly interfaces with either the 64 kbps or 8 kbps channel of Motorola's MC145422 and MC145426 Universal Digital Loop Transceivers (UDLTs), as well as the MC145418 and MC145419 Digital Loop Transceivers (DLTs).

- Provides the Interface Between Asynchronous Data Ports and Synchronous Transmission Links
- Up to 128 kbps Asynchronous Data Rate Operation
- Up to 2.1 Mbps Synchronous Data Rate Operation
- On-board Bit Rate Clock Generator with Pin Selectable Bit Rates of 300, 1200, 2400, 4800, 9600, 19200 and 38400 bps or an Externally Supplied 16 Times Bit Rate Clock
- Accepts Asynchronous Data Words of Eight or Nine Bits in Length
- False Start Detection Provided
- Automatic Sync Insertion and Checking
- Single 5 Volt Power Supply
- Low Power Consumption of 5 mW Typical
- Applications Notes AN943 and AN946

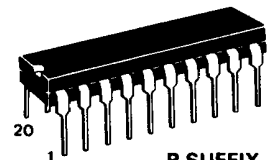
BLOCK DIAGRAM



MC145428



**L SUFFIX
CERAMIC
CASE 732**



**P SUFFIX
PLASTIC
CASE 738**

PIN ASSIGNMENT

