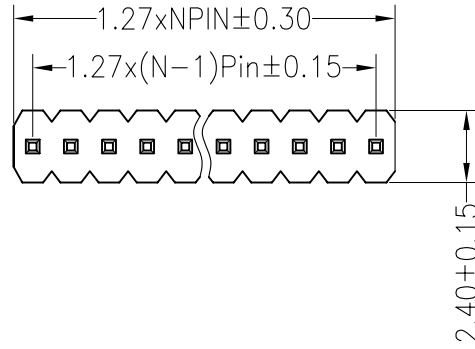


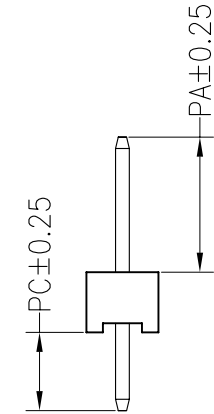
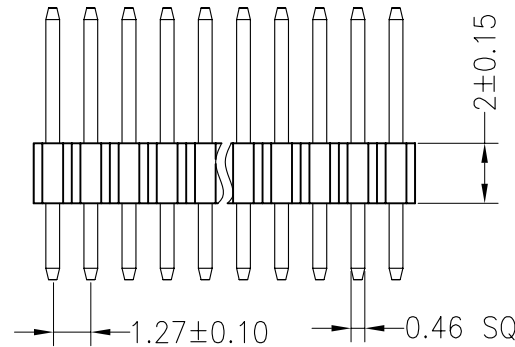
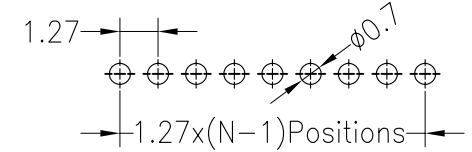
SPECIFICATIONS

Rated Current:1.0AMP
 Contact Resistance:20mΩ Max
 Withstand Voltage:500V AC/DC
 Insulation Resistance:1000MΩ Min
 Operation Temperature:-40°c to +105°c

Contact Material:Brass
 Contact Plating:Au or Sn Over Ni
 Insulator Material:Polyester(UL94V-0)
 Standard: PA6T
 Max.Processing Temp: 230°C for 30-60 seconds
 (260°C for 10 seconds)



Recommended P.C.B Layout(Top Side)
 (PCB BOARD TOLERANCE±0.05)



Dimension antitheses list			
ITEM	PA	PC	L
Alternate	6.00	5.00	13.00

				OPERATION		DRAW	YiYuSheng	12.03.28	SCALE	FIT	KLS ELECTRONIC CO., LTD PART NO. L-KLS1-207C-2.0-1-12-S-5.0*6.0*13.0 TITLE: 1.27PH H2.0mm 1xNpin 180°	
				X.X	±0.30				UNIT	mm		
				X.XX	±0.20	CHECK		SIZE	A4			
				X.XXX	±0.10	APPROVE		SHEET	1/1			
REV	DATE	MODIFICATION DESCRIPTION	CHANGE	DIM	TOL			PROJ.				

A0 2012.03.28 NEW DRAWING

REV DATE MODIFICATION DESCRIPTION CHANGE DIM TOL