



ELECTRONIC COMPANY

SMD POWER INDUCTOR

JCDRH SERIES



FEATURES/APPLICATOINS

- .Carrier tape packing use for SMT
- .High rated current & Low DCR,Quadrate;Width:6.2mm~12mm,Height:3mm~8mm.
- .Magnetically shielded construction
- .Suitable for reflow SMT craft soldering
- .Lead free products, RoHS compliant
- .Widely use in Digital products & Scanner/DC-DC converter/Power supply for VTP/LCD monitor/portable terminal equipment/Telecommunications/Notebook and PC Peripheral equipments etc

PRODUCT INDICATION

JCDRH 127 - 220 M
 ① ② ③ ④

- ① Product type: JCDRH type
- ② External dimension: Quadrate, 12 for Width 12.0mm
7 for Height 7.0mm
- ③ Electrical code: 220 for 22μH
- ④ Tolerance: K for ±10%; M for ±20%

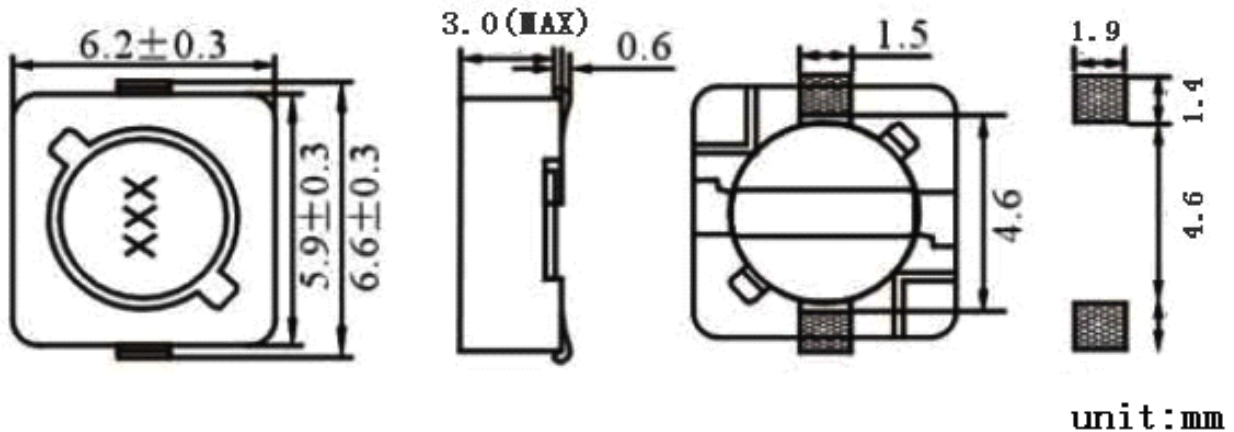
Page

JCDRH62.....3
JCDRH64.....4
JCDRH73.....6
JCDRH74.....7
JCDRH124.....9
JCDRH125.....10
JCDRH127.....12

- Inductance instrument: HP4286A/CH1062A or LCR Meter equivalent.
- Inductance testing condition: 100KHz/1KHz.
- DCR instrument: TH2512B or DCR test equipment equivalent .
- Rated Current test: VR7210&VR113H.
- Rated Current definition: Inductance drop by 25% or temperature rise by 40℃ , the lesser of the minimum as the rated current.
- Temperature storage range: -25℃~80℃; the relative humidity: RH65%~85%.

JCDRH62

SHAPE AND DIMENSIONS



Electrical Characteristics JCDRH62 Series

Part NO	Test Condition	Inductance(μH)	Tolerance(%)	DC Resistance(Ω)Max	Rated Current(A)Max
JCDRH62-2R9N	100KHz/0.1V	2.9	±30	0.07	1.94
JCDRH62-4R0N	100KHz/0.1V	4	±30	0.08	1.63
JCDRH62-5R5N	100KHz/0.1V	5.5	±30	0.1	1.4
JCDRH62-100M	100KHz/0.1V	10	±20	0.15	1.1
JCDRH62-120M	100KHz/0.1V	12	±20	0.2	1
JCDRH62-150M	100KHz/0.1V	15	±20	0.23	0.9
JCDRH62-180M	100KHz/0.1V	18	±20	0.27	0.8
JCDRH62-220M	100KHz/0.1V	22	±20	0.34	0.74
JCDRH62-270M	100KHz/0.1V	27	±20	0.38	0.66
JCDRH62-330M	100KHz/0.1V	33	±20	0.45	0.59
JCDRH62-390M	100KHz/0.1V	39	±20	0.49	0.54
JCDRH62-470M	100KHz/0.1V	47	±20	0.69	0.5

Special inquiries besides the above common used types can be meet

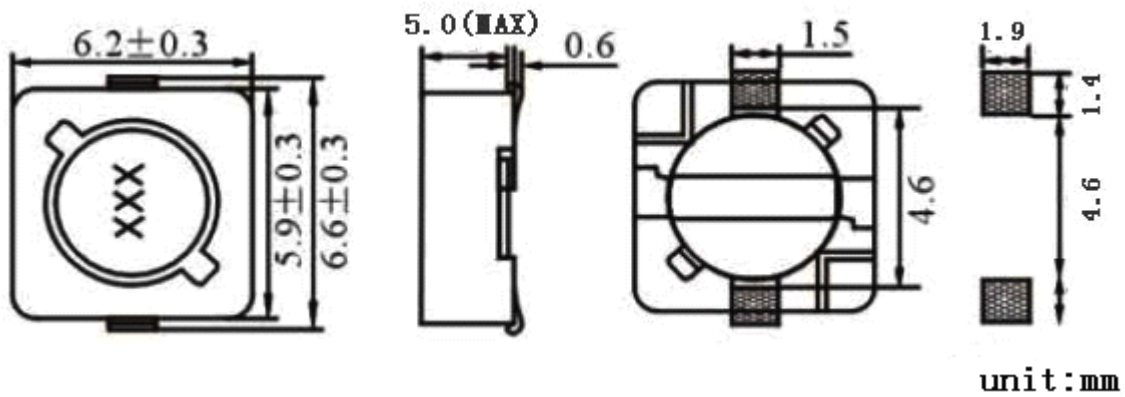
Electrical Characteristics JCDRH62 Series

Part NO	Test Condition	Inductance(μ H)	Tolerance(%)	DC Resistance(Ω)Max	Rated Current(A)Max
JCDRH62-560M	100KHz/0.1V	56	± 20	0.78	0.46
JCDRH62-680M	100KHz/0.1V	68	± 20	1.07	0.42
JCDRH62-820M	100KHz/0.1V	82	± 20	1.21	0.38
JCDRH62-101M	100KHz/0.1V	100	± 20	1.39	0.34
JCDRH62-121M	100KHz/0.1V	120	± 20	1.9	0.31
JCDRH62-151M	100KHz/0.1V	150	± 20	2.18	0.28
JCDRH62-181M	100KHz/0.1V	180	± 20	2.77	0.26
JCDRH62-221M	100KHz/0.1V	220	± 20	3.12	0.23
JCDRH62-271M	100KHz/0.1V	270	± 20	4.38	0.22
JCDRH62-331M	100KHz/0.1V	330	± 20	4.94	0.19

Special inquiries besides the above common used types can be meet

JCDRH64

SHAPE AND DIMENSIONS



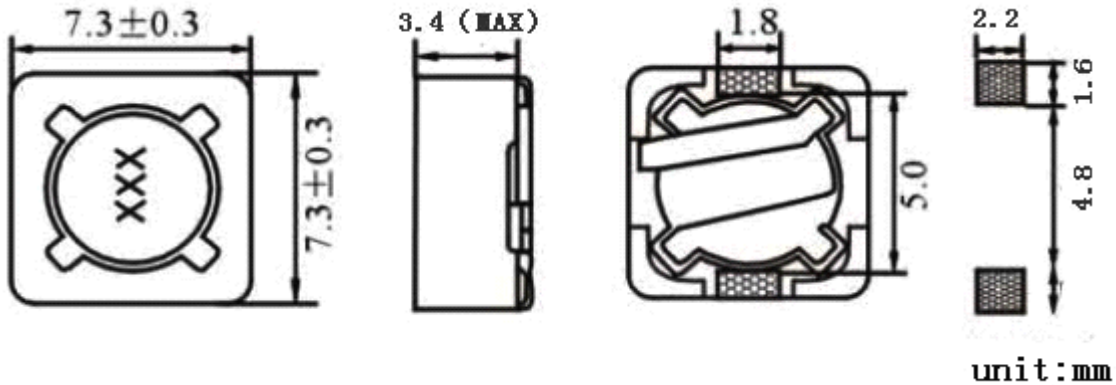
Electrical Characteristics JCDRH64 Series

Part NO	Test Condition	Inductance(μ H)	Tolerance(%)	DC Resistance(Ω)Max	Rated Current(A)Max
JCDRH64-100M	100KHz/0.1V	10	\pm 20	0.12	1.35
JCDRH64-120M	100KHz/0.1V	12	\pm 20	0.13	1.22
JCDRH64-150M	100KHz/0.1V	15	\pm 20	0.18	1.11
JCDRH64-180M	100KHz/0.1V	18	\pm 20	0.24	1.02
JCDRH64-220M	100KHz/0.1V	22	\pm 20	0.27	0.91
JCDRH64-270M	100KHz/0.1V	27	\pm 20	0.3	0.82
JCDRH64-330M	100KHz/0.1V	33	\pm 20	0.33	0.74
JCDRH64-390M	100KHz/0.1V	39	\pm 20	0.37	0.69
JCDRH64-470M	100KHz/0.1V	47	\pm 20	0.52	0.62
JCDRH64-560M	100KHz/0.1V	56	\pm 20	0.56	0.58
JCDRH64-680M	100KHz/0.1V	68	\pm 20	0.63	0.51
JCDRH64-820M	100KHz/0.1V	82	\pm 20	0.71	0.46
JCDRH64-101M	100KHz/0.1V	100	\pm 20	1.03	0.42
JCDRH64-121M	100KHz/0.1V	120	\pm 20	1.15	0.38
JCDRH64-151M	100KHz/0.1V	150	\pm 20	1.68	0.35
JCDRH64-181M	100KHz/0.1V	180	\pm 20	1.87	0.32
JCDRH64-221M	100KHz/0.1V	220	\pm 20	2.08	0.29
JCDRH64-271M	100KHz/0.1V	270	\pm 20	2.37	0.26
JCDRH64-331M	100KHz/0.1V	330	\pm 20	2.67	0.23
JCDRH64-391M	100KHz/0.1V	390	\pm 20	2.94	0.22
JCDRH64-471M	100KHz/0.1V	470	\pm 20	3.39	0.2
JCDRH64-561M	100KHz/0.1V	560	\pm 20	5.43	0.18
JCDRH64-681M	100KHz/0.1V	680	\pm 20	7.32	0.17
JCDRH64-821M	100KHz/0.1V	820	\pm 20	8.24	0.15
JCDRH64-102M	100KHz/0.1V	1000	\pm 20	9.26	0.14

Special inquiries besides the above common used types can be meet

JCDRH73

SHAPE AND DIMENSIONS



Electrical Characteristics JCDRH73 Series

Part NO	Test Condition	Inductance(μ H)	Tolerance(%)	DC Resistance(Ω)Max	Rated Current(A)Max
JCDRH73-100M	100KHz/0.1V	10	± 20	0.072	1.68
JCDRH73-120M	100KHz/0.1V	12	± 20	0.098	1.52
JCDRH73-150M	100KHz/0.1V	15	± 20	0.13	1.33
JCDRH73-180M	100KHz/0.1V	18	± 20	0.14	1.2
JCDRH73-220M	100KHz/0.1V	22	± 20	0.19	1.07
JCDRH73-270M	100KHz/0.1V	27	± 20	0.21	0.96
JCDRH73-330M	100KHz/0.1V	33	± 20	0.24	0.91
JCDRH73-390M	100KHz/0.1V	39	± 20	0.32	0.77
JCDRH73-470M	100KHz/0.1V	47	± 20	0.36	0.76
JCDRH73-560M	100KHz/0.1V	56	± 20	0.47	0.68
JCDRH73-680M	100KHz/0.1V	68	± 20	0.52	0.61
JCDRH73-820M	100KHz/0.1V	82	± 20	0.69	0.57
JCDRH73-101M	100KHz/0.1V	100	± 20	0.79	0.5
JCDRH73-121M	100KHz/0.1V	120	± 20	0.89	0.49
JCDRH73-151M	100KHz/0.1V	150	± 20	1.27	0.43
JCDRH73-181M	100KHz/0.1V	180	± 20	1.45	0.38

Special inquiries besides the above common used types can be meet

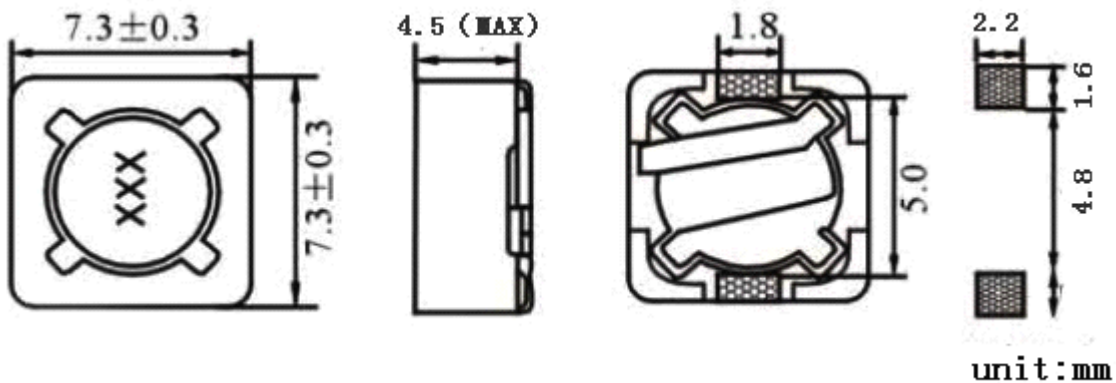
Electrical Characteristics JCDRH73 Series

Part NO	Test Condition	Inductance(μ H)	Tolerance(%)	DC Resistance(Ω)Max	Rated Current(A)Max
JCDRH73-221M	100KHz/0.1V	220	± 20	1.65	0.35
JCDRH73-271M	100KHz/0.1V	270	± 20	2.31	0.32
JCDRH73-331M	100KHz/0.1V	330	± 20	2.62	0.28
JCDRH73-391M	100KHz/0.1V	390	± 20	2.94	0.26
JCDRH73-471M	100KHz/0.1V	470	± 20	4.18	0.24
JCDRH73-561M	100KHz/0.1V	560	± 20	4.67	0.22
JCDRH73-681M	100KHz/0.1V	680	± 20	5.73	0.19
JCDRH73-821M	100KHz/0.1V	820	± 20	6.54	0.18
JCDRH73-102M	100KHz/0.1V	1000	± 20	9.44	0.16

Special inquiries besides the above common used types can be meet

JCDRH74

SHAPE AND DIMENSIONS



Electrical Characteristics JCDRH74 Series

Part NO	Test Condition	Inductance(μ H)	Tolerance(%)	DC Resistance(Ω)Max	Rated Current(A)Max
JCDRH74-100M	100KHz/0.1V	10	± 20	0.05	1.84
JCDRH74-120M	100KHz/0.1V	12	± 20	0.06	1.71

Special inquiries besides the above common used types can be meet

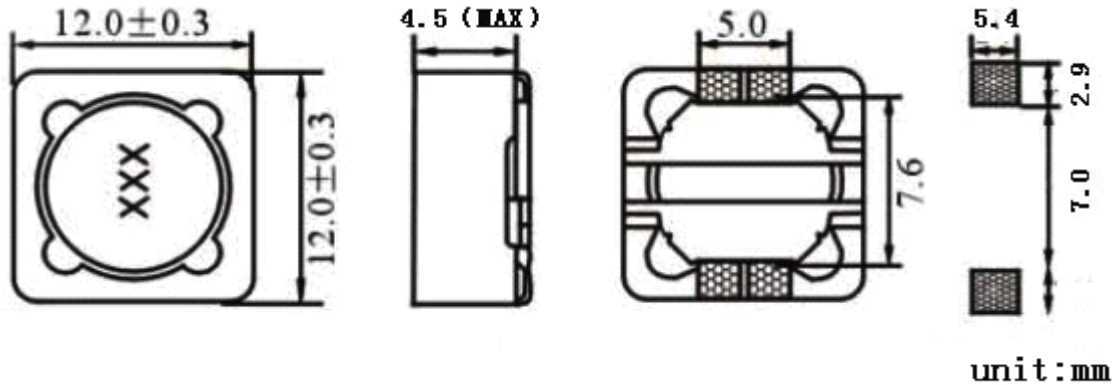
Electrical Characteristics JCDRH74 Series

Part NO	Test Condition	Inductance(μ H)	Tolerance(%)	DC Resistance(Ω)Max	Rated Current(A)Max
JCDRH74-150M	100KHz/0.1V	15	± 20	0.08	1.47
JCDRH74-180M	100KHz/0.1V	18	± 20	0.09	1.31
JCDRH74-220M	100KHz/0.1V	22	± 20	0.11	1.23
JCDRH74-270M	100KHz/0.1V	27	± 20	0.15	1.12
JCDRH74-330M	100KHz/0.1V	33	± 20	0.17	0.96
JCDRH74-390M	100KHz/0.1V	39	± 20	0.23	0.91
JCDRH74-470M	100KHz/0.1V	47	± 20	0.26	0.88
JCDRH74-560M	100KHz/0.1V	56	± 20	0.35	0.75
JCDRH74-680M	100KHz/0.1V	68	± 20	0.38	0.69
JCDRH74-820M	100KHz/0.1V	82	± 20	0.43	0.61
JCDRH74-101M	100KHz/0.1V	100	± 20	0.61	0.6
JCDRH74-121M	100KHz/0.1V	120	± 20	0.66	0.52
JCDRH74-151M	100KHz/0.1V	150	± 20	0.88	0.46
JCDRH74-181M	100KHz/0.1V	180	± 20	0.98	0.42
JCDRH74-221M	100KHz/0.1V	220	± 20	1.17	0.36
JCDRH74-271M	100KHz/0.1V	270	± 20	1.64	0.34
JCDRH74-331M	100KHz/0.1V	330	± 20	1.86	0.32
JCDRH74-391M	100KHz/0.1V	390	± 20	2.85	0.29
JCDRH74-471M	100KHz/0.1V	470	± 20	3.01	0.26
JCDRH74-561M	100KHz/0.1V	560	± 20	3.62	0.23
JCDRH74-681M	100KHz/0.1V	680	± 20	1.63	0.22
JCDRH74-821M	100KHz/0.1V	820	± 20	5.2	0.2
JCDRH74-102M	100KHz/0.1V	1000	± 20	6r	0.18

Special inquiries besides the above common used types can be meet

JCDRH124

SHAPE AND DIMENSIONS



Electrical Characteristics JCDRH124 Series

Part NO	Test Condition	Inductance(μH)	Tolerance(%)	DC Resistance(Ω)Max	Rated Current(A)Max
JCDRH124-3R9N	100KHz/0.1V	3.9	±30	0.015	6.5
JCDRH124-4R7N	100KHz/0.1V	4.7	±30	0.018	5.7
JCDRH124-6R8N	100KHz/0.1V	6.8	±30	0.023	4.9
JCDRH124-100M	100KHz/0.1V	10	±20	0.028	4.5
JCDRH124-120M	100KHz/0.1V	12	±20	0.038	4
JCDRH124-150M	100KHz/0.1V	15	±20	0.05	3.2
JCDRH124-180M	100KHz/0.1V	18	±20	0.057	3.1
JCDRH124-220M	100KHz/0.1V	22	±20	0.066	2.9
JCDRH124-270M	100KHz/0.1V	27	±20	0.08	2.8
JCDRH124-330M	100KHz/0.1V	33	±20	0.097	2.7
JCDRH124-390M	100KHz/0.1V	39	±20	0.132	2.1
JCDRH124-470M	100KHz/0.1V	47	±20	0.15	1.9
JCDRH124-560M	100KHz/0.1V	56	±20	0.19	1.8
JCDRH124-680M	100KHz/0.1V	68	±20	0.22	1.5
JCDRH124-820M	100KHz/0.1V	82	±20	0.26	1.3
JCDRH124-101M	100KHz/0.1V	100	±20	0.308	1.2
JCDRH124-121M	100KHz/0.1V	120	±20	0.38	1.1

Special inquiries besides the above common used types can be meet

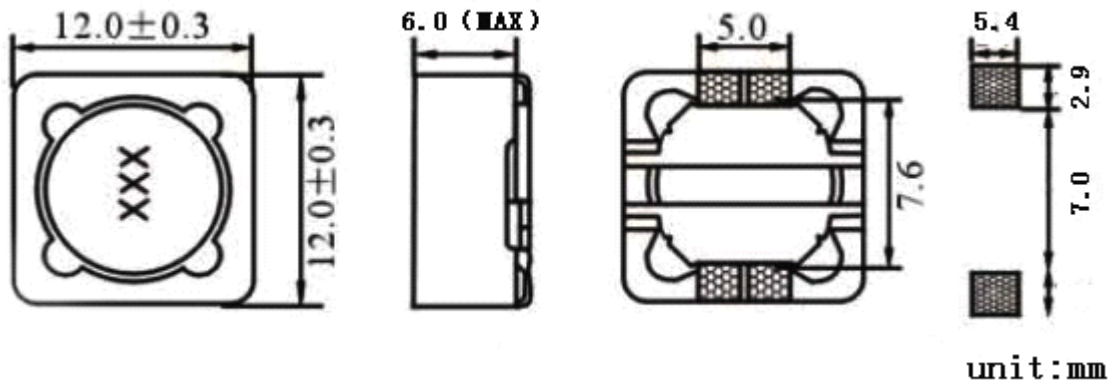
Electrical Characteristics JCDRH124 Series

Part NO	Test Condition	Inductance(μ H)	Tolerance(%)	DC Resistance(Ω)Max	Rated Current(A)Max
JCDRH124-151M	100KHz/0.1V	150	± 20	0.53	0.95
JCDRH124-181M	100KHz/0.1V	180	± 20	0.62	0.85
JCDRH124-221M	100KHz/0.1V	220	± 20	0.7	0.8
JCDRH124-271M	100KHz/0.1V	270	± 20	0.876	0.6
JCDRH124-331M	100KHz/0.1V	330	± 20	0.99	0.5

Special inquiries besides the above common used types can be meet

JCDRH125

SHAPE AND DIMENSIONS



Electrical Characteristics JCDRH125 Series

Part NO	Test Condition	Inductance(μ H)	Tolerance(%)	DC Resistance(Ω)Max	Rated Current(A)Max
JCDRH125-1R3N	100KHz/0.1V	1.3	± 30	0.012	8
JCDRH125-2R1N	100KHz/0.1V	2.1	± 30	0.014	7
JCDRH125-3R1N	100KHz/0.1V	3.1	± 30	0.017	6
JCDRH125-4R4N	100KHz/0.1V	4.4	± 30	0.02	5
JCDRH125-5R8N	100KHz/0.1V	5.8	± 30	0.021	4.4

Special inquiries besides the above common used types can be meet

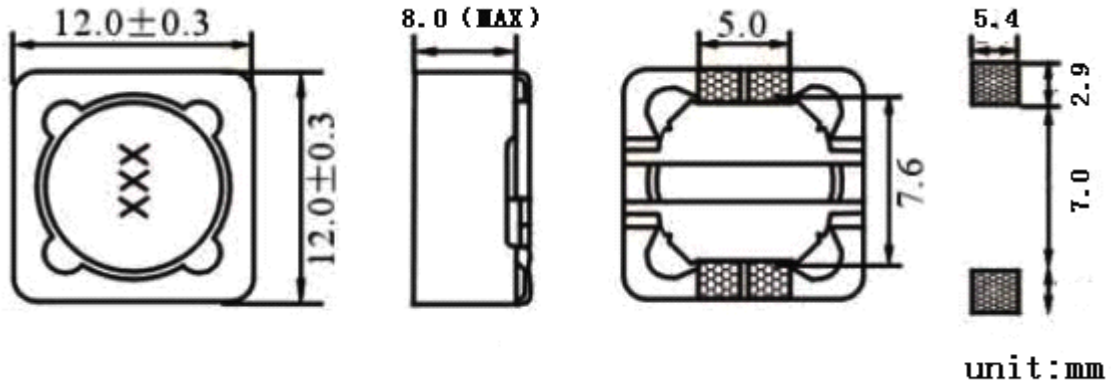
Electrical Characteristics JCDRH125 Series

Part NO	Test Condition	Inductance(μ H)	Tolerance(%)	DC Resistance(Ω)Max	Rated Current(A)Max
JCDRH125-7R5N	100KHz/0.1V	7.5	\pm 30	0.024	4.2
JCDRH125-100M	100KHz/0.1V	10	\pm 20	0.025	4
JCDRH125-120M	100KHz/0.1V	12	\pm 20	0.027	3.5
JCDRH125-150M	100KHz/0.1V	15	\pm 20	0.03	3.3
JCDRH125-180M	100KHz/0.1V	18	\pm 20	0.034	3
JCDRH125-220M	100KHz/0.1V	22	\pm 20	0.036	2.8
JCDRH125-270M	100KHz/0.1V	27	\pm 20	0.051	2.3
JCDRH125-330M	100KHz/0.1V	33	\pm 20	0.057	2.1
JCDRH125-390M	100KHz/0.1V	39	\pm 20	0.068	2
JCDRH125-470M	100KHz/0.1V	47	\pm 20	0.075	1.8
JCDRH125-560M	100KHz/0.1V	56	\pm 20	0.11	1.7
JCDRH125-680M	100KHz/0.1V	68	\pm 20	0.12	1.5
JCDRH125-820M	100KHz/0.1V	82	\pm 20	0.14	1.4
JCDRH125-101M	100KHz/0.1V	100	\pm 20	0.16	1.3
JCDRH125-121M	100KHz/0.1V	120	\pm 20	0.17	1.1
JCDRH125-151M	100KHz/0.1V	150	\pm 20	0.23	1
JCDRH125-181M	100KHz/0.1V	180	\pm 20	0.29	0.9
JCDRH125-221M	100KHz/0.1V	220	\pm 20	0.4	0.8
JCDRH125-271M	100KHz/0.1V	270	\pm 20	0.46	0.75
JCDRH125-331M	100KHz/0.1V	330	\pm 20	0.51	0.68
JCDRH125-391M	100KHz/0.1V	390	\pm 20	0.69	0.65
JCDRH125-471M	100KHz/0.1V	470	\pm 20	0.77	0.58
JCDRH125-561M	100KHz/0.1V	560	\pm 20	0.86	0.54
JCDRH125-681M	100KHz/0.1V	680	\pm 20	1.2	0.48
JCDRH125-821M	100KHz/0.1V	820	\pm 20	1.34	0.43
JCDRH125-102M	100KHz/0.1V	1000	\pm 20	1.53	0.4

Special inquiries besides the above common used types can be meet

JCDRH127

SHAPE AND DIMENSIONS



Electrical Characteristics JCDRH127 Series

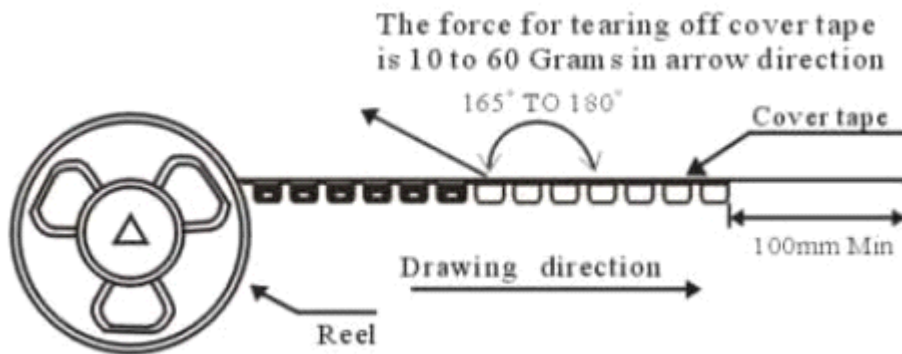
Part NO	Test Condition	Inductance(μH)	Tolerance(%)	DC Resistance(Ω)Max	Rated Current(A)Max
JCDRH127-1R2N	100KHz/0.1V	1.2	±30	0.007	9.8
JCDRH127-2R4N	100KHz/0.1V	2.4	±30	0.012	8
JCDRH127-3R5N	100KHz/0.1V	3.5	±30	0.014	7.5
JCDRH127-4R7N	100KHz/0.1V	4.7	±30	0.016	6.8
JCDRH127-6R1N	100KHz/0.1V	6.1	±30	0.018	6.6
JCDRH127-7R6N	100KHz/0.1V	7.6	±30	0.02	5.9
JCDRH127-100M	100KHz/0.1V	10	±20	0.022	5.4
JCDRH127-120M	100KHz/0.1V	12	±20	0.025	4.9
JCDRH127-150M	100KHz/0.1V	15	±20	0.027	4.5
JCDRH127-180M	100KHz/0.1V	18	±20	0.039	3.9
JCDRH127-220M	100KHz/0.1V	22	±20	0.043	3.6
JCDRH127-270M	100KHz/0.1V	27	±20	0.046	3.4
JCDRH127-330M	100KHz/0.1V	33	±20	0.065	3
JCDRH127-390M	100KHz/0.1V	39	±20	0.073	2.75
JCDRH127-470M	100KHz/0.1V	47	±20	0.1	2.5
JCDRH127-560M	100KHz/0.1V	56	±20	0.11	2.35
JCDRH127-680M	100KHz/0.1V	68	±20	0.14	2.1

Special inquiries besides the above common used types can be meet

Electrical Characteristics JCDRH127 Series

Part NO	Test Condition	Inductance(μ H)	Tolerance(%)	DC Resistance(Ω)Max	Rated Current(A)Max
JCDRH127-820M	100KHz/0.1V	82	± 20	0.16	1.95
JCDRH127-101M	100KHz/0.1V	100	± 20	0.22	1.7
JCDRH127-121M	100KHz/0.1V	120	± 20	0.25	1.6
JCDRH127-151M	100KHz/0.1V	150	± 20	0.28	1.42
JCDRH127-181M	100KHz/0.1V	180	± 20	0.35	1.3
JCDRH127-221M	100KHz/0.1V	220	± 20	0.39	1.16
JCDRH127-271M	100KHz/0.1V	270	± 20	0.56	1.06
JCDRH127-331M	100KHz/0.1V	330	± 20	0.64	0.95
JCDRH127-391M	100KHz/0.1V	390	± 20	0.7	0.88
JCDRH127-471M	100KHz/0.1V	470	± 20	0.98	0.79
JCDRH127-561M	100KHz/0.1V	560	± 20	1.07	0.73
JCDRH127-681M	100KHz/0.1V	680	± 20	1.46	0.67
JCDRH127-821M	100KHz/0.1V	820	± 20	0.64	0.6
JCDRH127-102M	100KHz/0.1V	1000	± 20	1.82	0.55

Special inquiries besides the above common used types can be meet



TYPE	QUANTITIES PCS/reel	TYPE	QUANTITIES PCS/reel
JCDRH62	1500	JCDRH124	500
JCDRH64	1000	JCDRH125	500
JCDRH73	1000	JCDRH127	500
JCDRH74	1000	XXX	XXX