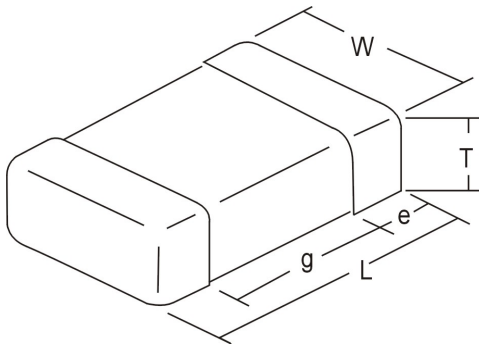
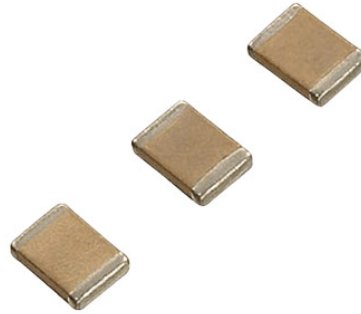


TS18



Size	Dimensions				
	L	W	T	e	g min
0402	1.00±0.05	0.50±0.05	0.50±0.05	0.15~0.30	0.40
0603	1.6±0.10	0.80±0.10	0.80±0.10	0.20~0.50	0.50
0805	2.00±0.10	1.25±0.10	0.60±0.10	0.25~0.75	0.70
			0.85±0.10		
			1.25±0.20		
1206	3.20±0.20	1.60±0.20	0.60±0.10	0.3~0.8	1.6
			0.85±0.10		
			1.00±0.10		
			1.25±0.20		
			1.60±0.20		

S P E C I F I C A T I O N S

Dielectric & Values	NPO X7R Y5V Z5U consult product pages of catalog for cap ranges and voltage rating
Terminations	Tin / Nickel
Voltage	16, 25, 50, 63 VDC
Packing	tape and reel (0402, 0603, 0805, 1206)
Capacitance	0.5pF ~ 10uF
Tolerance	±0.1pF ~ +80-20%
Operating Temperature Range	NPO: -55 ~ +125°C ; X7R: -55 ~ +125°C ; Y5V: -30 ~ +85°C
Types of Capacitor and Dielectric Material	NPO : The capacitor of this kind dielectric material is considered as Class I capacitor, including general capacitor and high frequency NPO capacitor. The electrical properties of NPO capacitor are the most stable one and have little change with temperature, voltage and time. They are suited for applications where low-losses and high-stability are required, such as filters, oscillators, and timing circuits.
	X7R、X5R: X7R、X5R material is a kind of material has high dielectric constant. The capacitor made of this kind material is considered as Class II capacitor whose capacitance is higher than that of class I. These capacitors are classified as having a semi-stable temperature characteristic and used over a wide temperature range, such in these kinds of circuits, DC-blocking, decoupling, bypassing, frequency discriminating etc.
	Y5V: The capacitor made of this kind of material is the highest dielectric constant of all ceramic capacitors. They are used over a moderate temperature range in application where high capacitance is required because of its unstable temperature coefficient, but where moderate losses and capacitance changes can be tolerated. Its capacitance and dissipation factors are sensible to measuring conditions, such as temperature and voltage, etc

TS18

General Product Capacitance Range:

1. NPO:

Tolerance	NPO(0.2pF~4.9pF): B/C NPO(5.0pF~9.9pF): D NPO(≥ 10 pF): F($\pm 1\%$), G($\pm 2\%$), J($\pm 5\%$), K($\pm 10\%$)
Thickness	A:0.50 \pm 0.10mm B:0.60 \pm 0.10mm C:0.80 \pm 0.10mm D:0.85 \pm 0.10mm E:1.00 \pm 0.10mm F:1.25 \pm 0.20mm H:1.60 \pm 0.20mm

2. X7R/X5R:

Tolerance	X7R/X5R: J($\pm 5.0\%$); K($\pm 10\%$); M($\pm 20\%$)
Thickness	A:0.50 \pm 0.05mm B:0.60 \pm 0.10mm C:0.80 \pm 0.10mm D:0.85 \pm 0.10mm E:1.00 \pm 0.10mm F:1.25 \pm 0.20mm H:1.60 \pm 0.20mm

3. Y5V

Tolerance	Y5V: M($\pm 20\%$); Z(-20,+80%)
Thickness	A:0.50 \pm 0.05mm B:0.60 \pm 0.10mm C:0.80 \pm 0.10mm D:0.85 \pm 0.10mm E:1.0 \pm 0.10mm F:1.25 \pm 0.20mm H:1.60 \pm 0.20mm

Above capacitance for reference only, actual cap. Range depends on the standard products.

TS18

General Product Capacitance Range:

Cp VDC	0402												0603														
	NPO			X7R/X5R					Y5V				NPO			X7R/X5R					Y5V						
	50	25	16	50	25	16	10	6	50	25	16	10	6	50	25	16	50	25	16	10	6	50	25	16	10	6	
0R2	A													C													
0R5	A													C													
1R0	A													C													
2R0	A													C													
3R0	A													C													
4R0	A													C													
5R0	A													C													
6R0	A													C													
7R0	A													C													
8R0	A													C													
9R0	A													C													
100	A													C													
120	A													C													
150	A													C													
180	A													C													
200	A													C													
220	A													C													
270	A													C													
300	A													C													
330	A													C													
390	A													C													
470	A													C													
560	A													C													
680	A													C													
820	A													C													
101	A			A										C		C											
121	A													C													
151	A	A		A										C		C											
181	A	A		A										C		C											
201	A	A												C													
221	A	A		A										C		C											
271	A	A		A										C		C											
331	A	A		A										C		C											
391		A		A										C		C											
471		A		A										C	C	C											
561				A										C	C	C											

TS18

General Product Capacitance Range:

Cp VDC	0402												0603													
	NPO			X7R/X5R					Y5V				NPO			X7R/X5R					Y5V					
	50	25	16	50	25	16	10	6	50	25	16	10	6	50	25	16	50	25	16	10	6	50	25	16	10	6
681				A										C	C		C									
821														C	C											
102				A					A					C	C		C									
122				A												C										
152				A					A					C	C		C									
182				A											C		C									
222				A					A						C		C					C				
272				A												C										
332				A					A							C						C				
392				A												C										
472				A					A							C						C				
562				A	A											C										
682				A	A											C										
683									A													C				
103				A	A	A			A							C						C				
153					A	A			A	A						C						C				
183					A	A										C										
223					A	A	A		A	A						C						C				
273					A	A	A									C										
333					A	A	A		A	A	A					C						C				
393					A	A	A									C										
473					A	A	A		A	A	A					C						C				
563						A	A									C	C									
683						A	A			A	A					C	C					C	C			
104						A	A			A	A	A				C	C	C				C	C			
154							A				A	A					C	C				C	C			
184							A										C	C								
224							A	A			A	A					C	C				C	C	C		
274								A									C									
334								A				A					C					C	C	C		
474								A				A					C	C				C	C	C		
684								A					A				C	C				C	C	C		
105								A					A				C	C				C	C	C		
155																									C	
225																			C	C					C	
335																										C
475																				C						C
106																										
226																										

TS18

General Product Capacitance Range:

Cp VDC	0805												
	NPO			X7R/X5R					Y5V				
	50	25	16	50	25	16	10	6.3	50	25	16	10	6.3
0R2	B												
0R5	B												
1R0	B												
2R0	B												
3R0	B												
4R0	B												
5R0	B												
6R0	B												
7R0	B												
8R0	B												
9R0	B												
100	B												
120	B												
150	B												
180	B												
200	B												
220	B												
270	B												
300	B												
330	B												
390	B												
470	B												
560	B												
680	B												
820	B												
101	B			B/D									
121	B												
151	B			B/D									
181	B			B/D									
201	B												
221	B			B/D									
271	B/D			B/D									
331	B/D			B/D									
391	B/D			B/D									
471	B/D			B/D									
561	B/D			B/D									
681	B/D			B/D									
821	B/D												

TS18

General Product Capacitance Range:

Cp VDC	0805												
	NPO			X7R/X5R					Y5V				
	50	25	16	50	25	16	10	6.3	50	25	16	10	6.3
102	B/D			B D									
122				B/D									
152	B/D			B/D									
182	B/D/E			D									
222	D/E/F	D/E/F		D									
272				D									
332		D/E/F		D									
392				D									
472		D/E/F		D									
562		D/E/F		D									
682				D									
683													
103			D/E/F	D					B				
153				D					B				
183				D									
223				D					B				
273				D									
333				D					B/D				
393				D									
473				D					B/D				
563				D									
683				D					B/D				
104				D	D				B/D				
154				D/E/F	D				B/D				
184				D/E/F	D								
224				D/E/F	D/E				B/D	B/D			
274					D/E/F								
334					D/E/F				D/E/F	D/E/F			
474					E/F	E/F			D/E/F	D/E/F	D/E/F		
684					F	F			D/E/F	D/E/F	D/E/F		
105					F	F	F		D/E/F	D/E/F	D/E/F		
155										E/F	E/F	E/F	
225							F			E/F	E/F	E/F	
335											E/F	E/F	
475							F				E/F	E/F	E/F
106							F	F				E/F	E/F
226								F					E/F

TS18

General Product Capacitance Range:

Cp VDC	1206												
	NPO			X7R/X5R					Y5V				
	50	25	16	50	25	16	10	6.3	50	25	16	10	6.3
0R2	B												
0R5	B												
1R0	B												
2R0	B												
3R0	B												
4R0	B												
5R0	B												
6R0	B												
7R0	B												
8R0	B												
9R0	B												
100	B												
120	B												
150	B												
180	B												
200	B												
220	B												
270	B												
300	B												
330	B												
390	B												
470	B												
560	B												
680	B												
820	B												
101	B			B/D									
121	B												
151	B			B/D									
181	B			B/D									
201	B												
221	B			B/D									
271	B/D			B/D									
331	B/D			B/D									
391	B/D			B/D									
471	B/D			B/D									
561	B/D			B/D									
681	B/D			B/D									
821	B/D												

TS18

General Product Capacitance Range:

Cp VDC	1206												
	NPO			X7R/X5R					Y5V				
	50	25	16	50	25	16	10	6.3	50	25	16	10	6.3
102	B/D			B/D									
122				B/D									
152	B/D			B/D									
182	B/D			B/D									
222	B/D			B/D									
272				B/D									
332	B/D/E	B/D/E		B/D									
392				B/D									
472	B/D/E	B/D/E		D									
562		B/D/E		D									
682				D									
683													
103		D/E/F	D/E/F	D						B/D			
153				D						B/D			
183				D									
223				D						B/D			
273				D									
333				D						B/D			
393				D									
473				D						B/D			
563				D									
683				D						B/D			
104				D	D					B/D			
154				D/E	D/E					B/D			
184				D/E	D/E								
224				D/E	D/E					B/D	B/D		
274					D/E/F								
334					D/E/F					D/E	D/E		
474					D/E/F	D/E/F				D/E	D/E	D/E	
684						E/F				D/E	D/E	D/E	
105						E/F/H	E/F/H			D/E	D/E	D/E	
155											D/E	D/E	
225							F/H				E/F	E/F	
335												E/F	E/F
475							F/H					F/H	F/H
106							F/H	F/H				F/H	
226								F/H					F/H

TS18

Specification and Test Condition:

1. Appearance

Dielectrics	Specification	Testing Condition
NPO/X7R/X5R/Y5V	No defects or abnormalities	Visual inspection.

2. Dimensions

Dielectrics	Specification	Testing Condition
NPO/X7R/X5R/Y5V	Within the specified dimensions	Using calipers on micrometer

3. Capacitance

Dielectrics	Specification	Testing Condition
NPO	Within the specified tolerance B:±0.1pF;C:±0.25pF;D:±0.5pF;J: ±5%	1.0±0.2Vrms, 1MHz±10% (C>1000 pF, 1.0±0.2Vrms, 1KHz±10% ,) 25°C °
X7R/X5R	Within the specified tolerance J: ±5% ; K: ±10% ; M: ±20%	1.0±0.2Vrms, 1KHz±10% (Cp > 10uF,0.5±0.1Vrms,120±24Hz) at 25°C ,48hrs after annealing
Y5V	Within the specified tolerance M: ±20%; Z: -20%, +80%	1.0±0.2Vrms, 1KHz±10% (Cp > 10uF,0.5±0.1Vrms,120±24Hz) at 25°C , 48hrs after annealing

4. Dissipation Factor

Dielectrics	Specification	Testing Condition
NPO	Cp<30pF, Q≥400+20Cp; Cp≥30pF, Q≥1000	1.0±0.2Vrms,1MHz±10% ,25°C (Cp>1000pF,1.0±0.2Vrms,1KHz±10%)
X7R/X5R	UR ≥25V, DF ≤2.5% UR =16V, DF ≤3.5% UR ≤10V, DF ≤5.0%	1.0±0.2Vrms, 1KHz±10%, (Cp > 10uF,0.5±0.1Vrms,120±24Hz) at 25°C ,48hrs after annealing
Y5V	UR ≥25V, DF ≤7.0% (C<1.0 μ F) DF ≤9.0% (C≥1.0 μ F) UR =16V, DF ≤9.0% UR ≤10V, DF ≤12.5%	1.0±0.2Vrms, 1KHz±10%, (Cp > 10uF,0.5±0.1Vrms,120±24Hz) at 25°C ,48hrs after annealing

TS18

5. Insulation Resistance

Dielectrics	Specification	Testing Condition
NPO/X7R/ X5R/Y5V	More than 10 GΩ or 500Ω·F, whichever is smaller.	Rated voltage for 60±5sec, at 25°C

6. Dielectric Strength

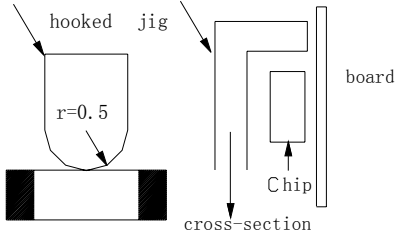
Dielectrics	Specification	Testing Condition
NPO /X7R/X5R/Y5V	No defects or abnormalities.	No failure shall be observed when 300% (NPO);250%(X7R/ X5R/Y5V)of the rated voltage is applied between the terminations for 1 to 5 seconds, provided the charge /discharge current is less than 500mA

7. Temperature Coefficient of Capacitance

Dielectrics	Specification	Testing Condition
NPO	Temperature coefficient within ±30ppm/°C Cp drift within ±0.2% or ±0.05pF	Measure capacitance under follow table list temperature: STEP NPO, X7R X5R Y5V 1 25 ±2 25 ±2 25 ±2 2 -55±3 -55±3 -30±3 3 25 ±2 25 ±2 25 ±2
X7R/X5R	Capacitance change within ±15%	4 125±3 85±3 85±3 5 25 ±2 25 ±2 25 ±2
Y5V	Capacitance change within +22%, -82%	1) NPO The capacitance drift is calculated by dividing the differences between the maximum and minimum measured values in the step 1,3 and 5. The temperature coefficient is determined using the Capacitance measured in step 3 as a reference. 2) X7R ,X5R and Y5V The ranges of capacitance change compared within the above 25°C value over the temperature ranges shall be within the specified ranges.

TS18

8. Adhesion

Dielectrics	Specification	Testing Condition
NPO X7R/X5R Y5V	No removal of the terminations or other defect shall occur.	<p>The pressurizing force shall be 10N (=1000g*f) and the duration of application shall be 10±1sec.</p> 

9. Solderability of Termination

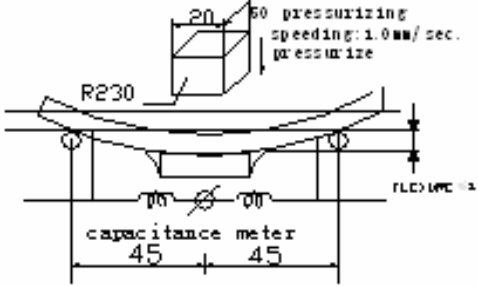
Dielectrics	Specification	Testing Condition
NPO X7R/X5R Y5V	95% min. coverage of both terminal electrodes and less than 5% have pin holes or rough spots.	<p>Solder temperature: 230±5°C Dipping time: 2±1 seconds. Completely soak both terminal electrodes in solder</p>

10. Resistance to leaching

Dielectrics	Specification	Testing Condition
NPO X7R/X5R Y5V	<p>95% min. coverage of both terminal electrodes and less than 5% have pin holes or rough spots. No remarkable visual damage.</p>	<p>Solder temperature: 270±5°C Dipping time: 10±1 seconds. Completely soak both terminal electrodes in solder</p>

TS18

11. Bending

Dielectrics	Specification	Testing Condition
NPO	No remarkable visual damage Cp change $\leq \pm 5\%$ or ≤ 0.5 pF	Solder the capacitor on testing substrate and put it on testing stand. The middle part of substrate shall successively be pressurized by pressuring rod at a rated of about 1.0mm/sec. Until the deflection become means of the 1.0mm. 
X7R/X5R	No remarkable visual damage Cp change $\leq \pm 12.5\%$	
Y5V	No remarkable visual damage Cp change $\leq \pm 30\%$	

12. Resistance to Soldering Heat

Dielectrics	Specification	Testing Condition
NPO	No remarkable visual damage Cp change within $\pm 2.5\%$ or ± 0.25 pF, whichever is larger. DF meets initial standard value. IR meets initial standard value.	Soldering temperature: $270 \pm 5^\circ\text{C}$ Preheating: $120 \sim 150^\circ\text{C}$ 60sec. Dipping time: 10 ± 1 seconds. Measurement to be made after being kept at room temperature for 24 ± 2 (C0G) or 48 ± 4 (X7R, X5R, Y5V) hours. Recovery for the following period under the standard condition after test. *Initial measurement for high dielectric constant type Perform a heat treatment at $140 \sim 150^\circ\text{C}$ for 1hr and let sit for 48 ± 4 hrs at room temperature. Perform the initial measurement.
X7R/X5R	No remarkable visual damage Cp change within $\pm 5\%$ DF meets initial standard value. IR meets initial standard value.	
Y5V	No remarkable visual damage Cp change within $\pm 20\%$ DF meets initial standard value. IR meets initial standard value.	

TS18

13. Temperature Cycle

Dielectrics	Specification	Testing Condition															
NPO	No remarkable visual damage Cp change within $\pm 2.5\%$ or $\pm 0.25\text{pF}$, whichever is larger.	To perform 5 cycles of the stated environment: <table border="1"> <thead> <tr> <th>Step</th> <th>Temperature</th> <th>Time</th> </tr> </thead> <tbody> <tr> <td>1</td> <td>Min. operating Temp. $+0/-3^\circ\text{C}$</td> <td>30min</td> </tr> <tr> <td>2</td> <td>25°C</td> <td>2~3 min</td> </tr> <tr> <td>3</td> <td>Max. operating Temp. $+0/-3^\circ\text{C}$</td> <td>30 min</td> </tr> <tr> <td>4</td> <td>25°C</td> <td>2~3 min</td> </tr> </tbody> </table>	Step	Temperature	Time	1	Min. operating Temp. $+0/-3^\circ\text{C}$	30min	2	25°C	2~3 min	3	Max. operating Temp. $+0/-3^\circ\text{C}$	30 min	4	25°C	2~3 min
Step	Temperature	Time															
1	Min. operating Temp. $+0/-3^\circ\text{C}$	30min															
2	25°C	2~3 min															
3	Max. operating Temp. $+0/-3^\circ\text{C}$	30 min															
4	25°C	2~3 min															
X7R/X5R	No remarkable visual damage Cp change within $\pm 7.5\%$	Measurement to be made after being kept at room temperature for $24\pm 2\text{hrs}$ (C0G) or $48\pm 4\text{hrs}$ (X7R, X5R, Y5V) at room temperature, then measure. *Initial measurement for high dielectric constant type Perform a heat treatment at $140\sim 150^\circ\text{C}$ for 1hr and let sit for $48\pm 4\text{hrs}$ at room temperature. Perform the initial measurement.															

14. Moisture Resistance ,steady state

Dielectrics	Specification	Testing Condition
NPO	No remarkable visual damage Cp change within $\pm 5\%$ or $\pm 0.5\text{pF}$, whichever is larger. Cp < 10pF, Q $\geq 200 + 10\text{Cp}$; $10 \leq \text{Cp} < 30\text{pF}$, Q $\geq 275 + 2.5\text{Cp}$ Cp $\geq 30\text{pF}$, Q ≥ 350 R*C $\geq 1000\text{M}\Omega$ or $50\Omega\cdot\text{F}$, whichever is smaller	Test temperature: $40\pm 2^\circ\text{C}$ Humidity: 90~95% RH Testing time: $500 \pm 12\text{hrs}$
X7R/X5R	Cp change within $\pm 12.5\%$ DF: Not more than 2 times of initial value R*C $\geq 1000\text{M}\Omega$ or $50\Omega\cdot\text{F}$, whichever is smaller	Measurement to be made after being kept at room temperature for $24\pm 2\text{hrs}$ (C0G) or $48\pm 4\text{hrs}$ (X7R, X5R, Y5V) *Initial measurement for high dielectric constant type
Y5V	No remarkable visual damage Cp change within $\pm 30\%$ DF: Not more than 1.5 times of initial value R*C $\geq 1000\text{M}\Omega$ or $50\Omega\cdot\text{F}$, whichever is smaller	Perform a heat treatment at $140\sim 150^\circ\text{C}$ for 1hr and let sit for $48\pm 4\text{hrs}$ at room temperature. Perform the initial measurement.

TS18

15. Damp heat with load

Dielectrics	Specification	Testing Condition
NPO	No remarkable visual damage Cp change $\leq \pm 7.5\%$ or $\pm 0.75\text{pF}$, whichever is larger. Cp < 30pF, Q $\geq 100 + 10/3 * \text{Cp}$ Cp $\geq 30\text{pF}$, Q ≥ 200 R*C $\geq 500\text{M}\Omega$ or $25\Omega \cdot \text{F}$, whichever is smaller	Test temperature: $40 \pm 2^\circ\text{C}$ Humidity: 90~95% RH Voltage: 100% of the rated voltage Testing time: $500 \pm 12\text{hrs}$
X7R/X5R	No remarkable visual damage Cp change $\leq \pm 12.5\%$ DF: Not more than 2 times of initial value R*C $\geq 500\text{M}\Omega$ or $25\Omega \cdot \text{F}$, whichever is smaller	Measurement to be made after being kept at room temperature for $24 \pm 2\text{hrs}$ (C0G) or $48 \pm 4\text{hrs}$ (X7R, X5R, Y5V)
Y5V	No remarkable visual damage Cp change $\leq \pm 30\%$ DF: Not more than 1.5 times of initial value R*C $\geq 500\text{M}\Omega$ or $25\Omega \cdot \text{F}$, whichever is smaller	*Apply the rated DC voltage for 1 hour at $40 \pm 2^\circ\text{C}$. Remove and let sit for $48 \pm 4\text{hrs}$ at room temperature. Perform the initial measurement.

16. Life Test

Dielectrics	Specification	Testing Condition
NPO	No remarkable visual damage Cp change $\leq \pm 3\%$ or $\pm 0.3\text{pF}$, whichever is larger. Q ≥ 350 (Cp $\geq 30\text{PF}$) Q $\geq 275 + (2.5 * \text{Cp})$ ($10\text{pF} \leq \text{Cp} < 30\text{PF}$) Q $\geq 200 + 10 * \text{Cp}$ (Cp < 10 PF) R*C $\geq 1000\text{M}\Omega$ or $50\Omega \cdot \text{F}$, whichever is smaller	Test temperature: Max. Operating Temp. $\pm 3^\circ\text{C}$ Voltage: 200% of the rated voltage Testing time: 1000 hrs
X7R/X5R	No remarkable visual damage Cp change $\leq \pm 12.5\%$ DF: Not more than 2 times of initial value R*C $\geq 1000\text{M}\Omega$ or $50\Omega \cdot \text{F}$, whichever is smaller	*Initial measurement for high dielectric constant type Apply 200% of the rated DC voltage for one hour at the maximum operating temperature $\pm 3^\circ\text{C}$.
Y5V	No remarkable visual damage Cp change $\leq \pm 30\%$ DF: Not more than 1.5 times of initial value R*C $\geq 1000\text{M}\Omega$ or $50\Omega \cdot \text{F}$, whichever is smaller	Remove and let sit for $48 \pm 4\text{hrs}$ at room temperature. Perform the initial measurement

TS18

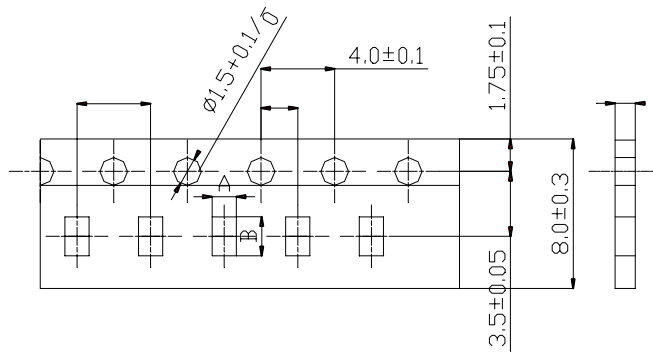
Packing

1. Tape Packing

Paper Tape: Standard taping (8mm paper width) suitable to 0603,0805,4Kpcs/reel
To 0402, 10Kpcs/reel.

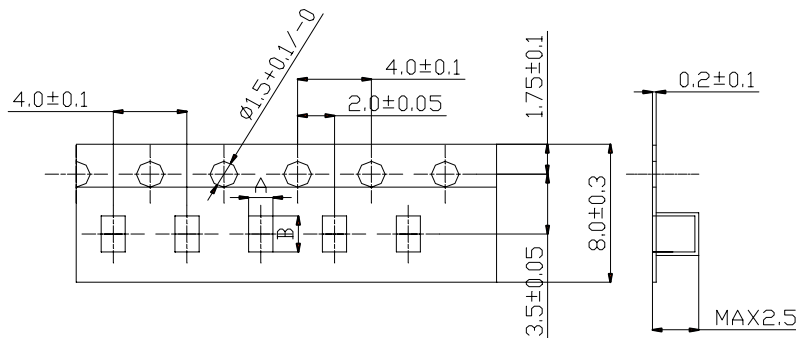
Plastic Tape: Suitable 0805 , 1206 sizes, for chip thickness over 0.95 mm, 4Kpcs/reel
or 3Kpcs/reel are available.

2. Dimensions of Packing Paper:



Type	A	B	C	D	T
0402	0.65±0.10	1.15±0.10	2.0±0.05	2.0±0.05	0.8max
0603	1.05±0.10	1.85±0.10	4.0±0.10	2.0±0.10	1.1max
0805	1.55±0.15	2.3±0.15	4.0±0.10	2.0±0.10	1.1max
1206	1.95±0.15	3.5±0.15	4.0±0.10	2.0±0.10	1.1max

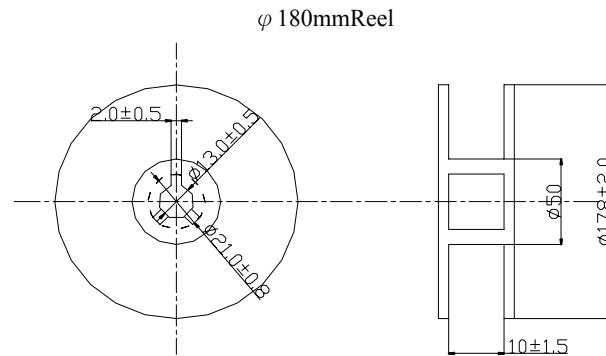
3. Dimensions of Embossed Packing



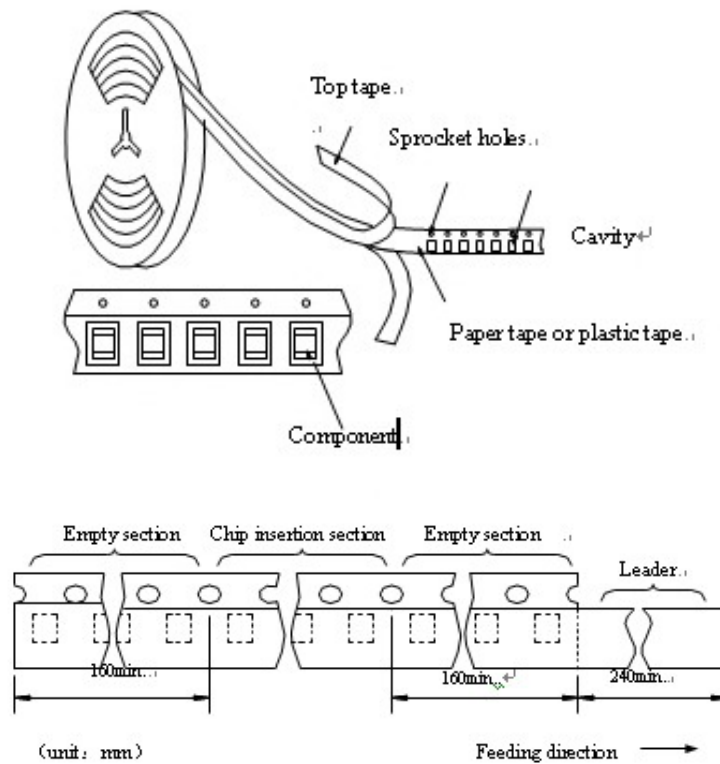
A : 1.45±0.20 B : 2.25±0.20 (0805)
A : 1.95±0.20 B : 3.50±0.20 (1206)

TS18

4. Dimensions of Reel:



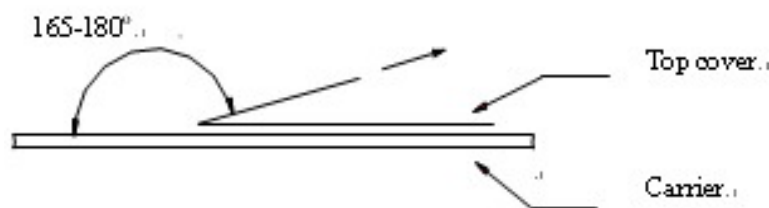
5. Taping Figure



TS18

6. Taping Method

- ① Tapes for capacitors are wound clockwise. The sprocket holes are to the right as the tape is pulled toward the user.
- ② The top tape and base tape are not attached at the end of the tape for a minimum of 5 pitches.
- ③ Part of the leader and part of the empty tape shall be attached to the end of the tape as follows.
- ④ Missing capacitors number within 0.1% of the number per reel or 1pc, whichever is greater, and are not continuous.
- ⑤ The top tape and bottom tape shall not protrude beyond the edges of the tape and shall not cover sprocket holes.
- ⑥ Cumulative tolerance of sprocket holes, 10 pitches: $\pm 0.3\text{mm}$.
- ⑦ Peeling off force: 0.1 to 0.6N in the direction shown down.



Note: Specification are subject to change without notice. For more detail and update, please visit our website.