

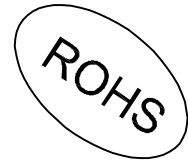
1*1 Port RJ-45 Jack With 10/100 Base-T Magnetics Module



东莞市迅旺电子科技有限公司
DongGuan XunWang Electronic Technology Co., Ltd.

1. Electrical Specifications: @25°C

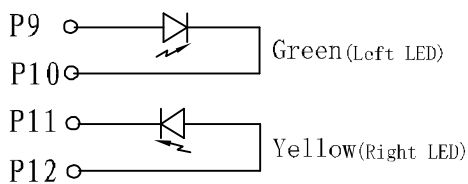
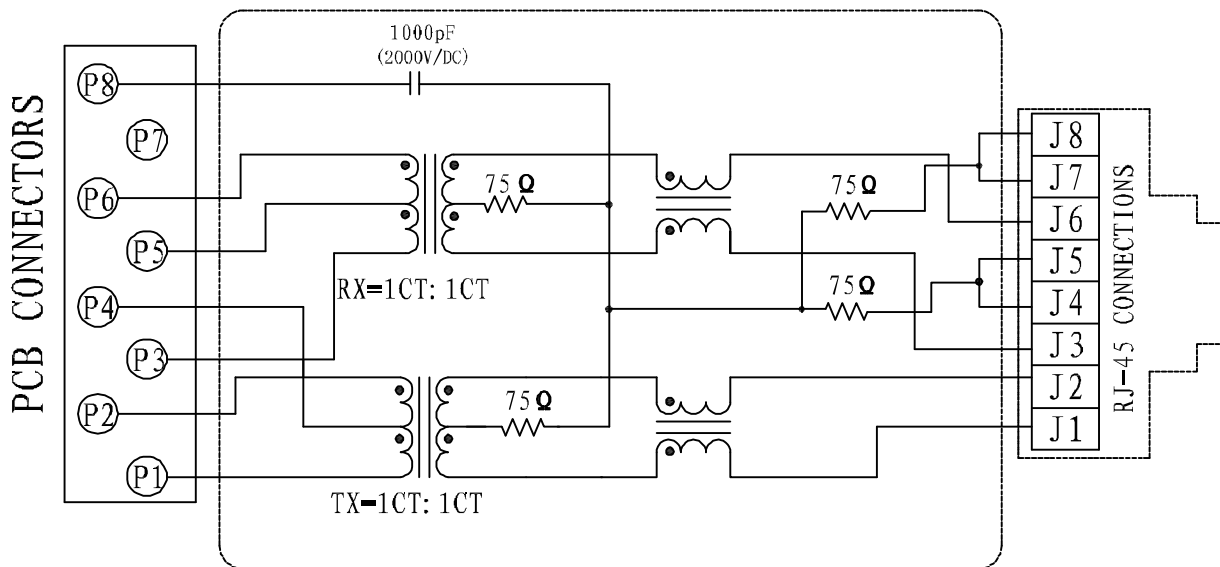
- 1.1. Isolation Voltage: 1500V/AC (Input to Output)
- 1.2. OCL: 350uH Minimum @100KHz 100mV 8mA DC
- 1.3. Insertion Loss: -1.2dB Maximum @100KHz-100MHz
- 1.4. Return Loss: -18dB Minimum @1MHz-30MHz
-14dB Minimum @30MHz-60MHz
-12dB Minimum @60MHz-80MHz
- 1.5. Common Mode Rejection: -30dB Minimum @1MHz-100MHz
- 1.6. Cross Talk: -30dB Minimum @1MHz-100MHz



2. Operating and Storage Temperature:

- 2.1. Operating Temperature: -40°C to +85°C
- 2.1. Storage Temperature: -40°C to +85°C

3. Schematics:



P/N: XWRJ-1104D1009-1	Units: mm	Unless otherwise stated otherwise tolerances as follows: .XX ±0.25	Rev: A	Draw : Kal	Date: 2010/05/08
	Scale: None		Page: 1/2	Checked : Ansom	Date: 2010/05/08
Tel: 0086-769-85398667 Fax: 0086-769-85384545 Http://www.dgxunwang.com			Approved:	Ansom	Date: 2010/05/08

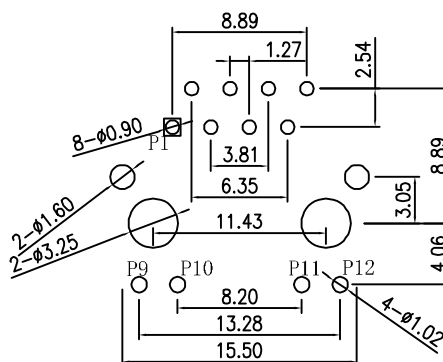
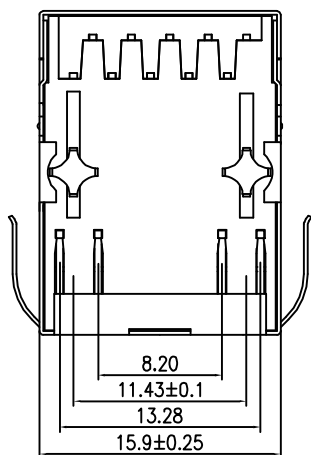
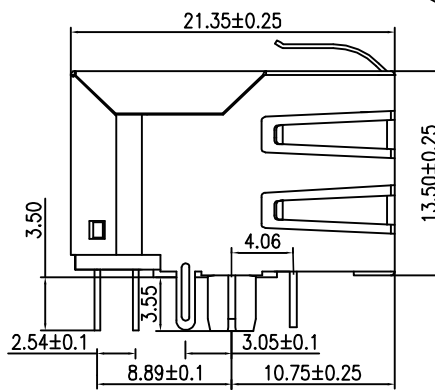
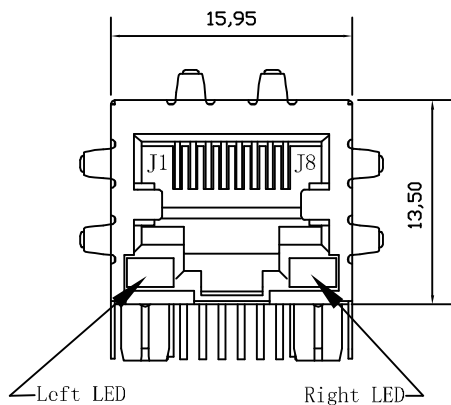
1*1 Port RJ-45 Jack With 10/100 Base-T Magnetics Module



东莞市迅旺电子科技有限公司
DongGuan XunWang Electronic Technology Co., Ltd.

4. Mechanicals:

ROHS



P. C. B RECOMMENDED HOLE LAYOUT SEEN FROM COMPONENT SIDE.
ALL CENTERLINE DIMENSIONS ARE BASIC

4.1. Connector Material:

Housing: Thermoplastic UL94 V-0
Contact/Shield: Cooper alloy
Shield Plating: Nickel
Contact Plating: Selective gold 6u"; 15u"; 30u"; 50u"Min

4.2. Tolerances comply with F.C.C dimension requirements

4.3. Durability: 800 mating Min

LED Specification

Standard LED Color	LED Wavelength	Forward (V MAX)	Typical (V TYP)	Luminous Intensity
Green	560-580 nm	2.5V	2.1-2.2V	9-25 MCD
Yellow	580-610 nm	2.5V	2.1-2.2V	9-30 MCD

- LED intensity/wavelength measured with Photo Research PR-650 Colormeter
- With a forward current of 20 mA, Absolute Maximum Ratings (Ta=25°C)

P/N:	Units: mm	Unless otherwise stated otherwise tolerances as follows: .XX ±0.25	Rev: A	Draw : Kal	Date: 2010/05/08
XWRJ-1104D1009-1	Scale: None		Page: 2/2	Checked : Ansom	Date: 2010/05/08
Tel: 0086-769-85398667 Fax: 0086-769-85384545 Http://www.dgxunwang.com			Approved:	Ansom	Date: 2010/05/08