

## Video Modulator for FM-Audio

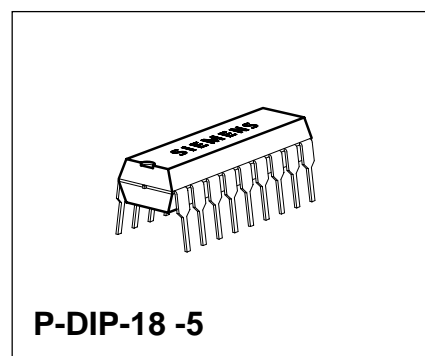
TDA 5666-5

### Preliminary Data

Bipolar IC

#### Features

- FM-audio modulator
- Sync level clamping of video input signal
- Controlling of peak white value
- Continuous adjustment of modulation depth for positive or negative values
- Symmetrical mixer output with separate ground area
- Symmetrical oscillator with separate RF-ground
- Low spurious radiation
- High stability of the RF-oscillator frequency
- High stability of the audio oscillator
- Internal reference voltage
- 12 V supply voltage



Type	Ordering Code	Package
TDA 5666-5	Q67000-A5168	P-DIP-18-5

#### Functional Description and Application

The monolithic integrated circuit TDA 5666-5 is especially suitable as a modulator for the 48- to 860-MHz frequency range.

Video recorders, cable converters, TV-converter networks, demodulators, video generators, video security systems, amateur TV-applications and personal computers.

## Circuit Description

### Oscillator

The RF-oscillator is available at pins 3-7. The oscillator operates as a symmetrical Colpitts circuit. The oscillator chip ground, pin 5, should be connected to ground at the resonance circuit shielding point. An external oscillator can be injected inductively or capacitively via pins 3 and 7. The layout of the PCB should be such as to provide a minimum shielding attenuation between the oscillator pins 3-7 and modulator output pins 13-15 of approximately 80 dB.

For optimal residual carrier suppression, the symmetrical mixer outputs at pins 13, 15 should be connected to a matched balanced-to-unbalanced broadband transformer, e.g. a Guanella transformer with good phase precision at  $0^\circ$  and  $180^\circ$ . The transmission loss should be less than 3 dB. In addition, an LC-low pass filter combination is required at the output. The cut-off frequency of the low pass filter combination must exceed the maximum operating frequency.

### Video

The video signal with the negative synchronous level is capacitively connected to pin 10. The internal clamping circuit is referenced to the synchronizing level. Should the video signal change by 6 dB, this change will be compensated by the resonance circuit which is set by the peak white value. At pin 11, the current pulses of the peak white detector are filtered through the capacitor which also determines the control time constant. The RF-carrier switches from negative to positive video modulation, when pin 12 is connected to ground. By varying the value of resistance  $R$  at pin 12 between  $\infty \dots 0 \Omega$  the modulation depth can be increased from 70% to 100% when the modulation is negative and decreased from 100% to 70% when the modulation is positive.

### Audio

Via pin 1, the audio signal is capacitively coupled to the AF-input for the FM-modulation of the oscillator. A parallel resonance circuit is connected to the audio carrier oscillator at pins 17, 18. The unloaded  $Q$  of the resonant circuit must be  $Q = 25$  and the parallel resistor  $R_T = 8.2 \text{ k}\Omega$  to ensure a video to audio carrier ratio of 12.5 dB. At the same time, the capacitive and/or inductive reactance for the resonance frequency should have a value of  $X_C \approx X_L \approx 800 \Omega$ .

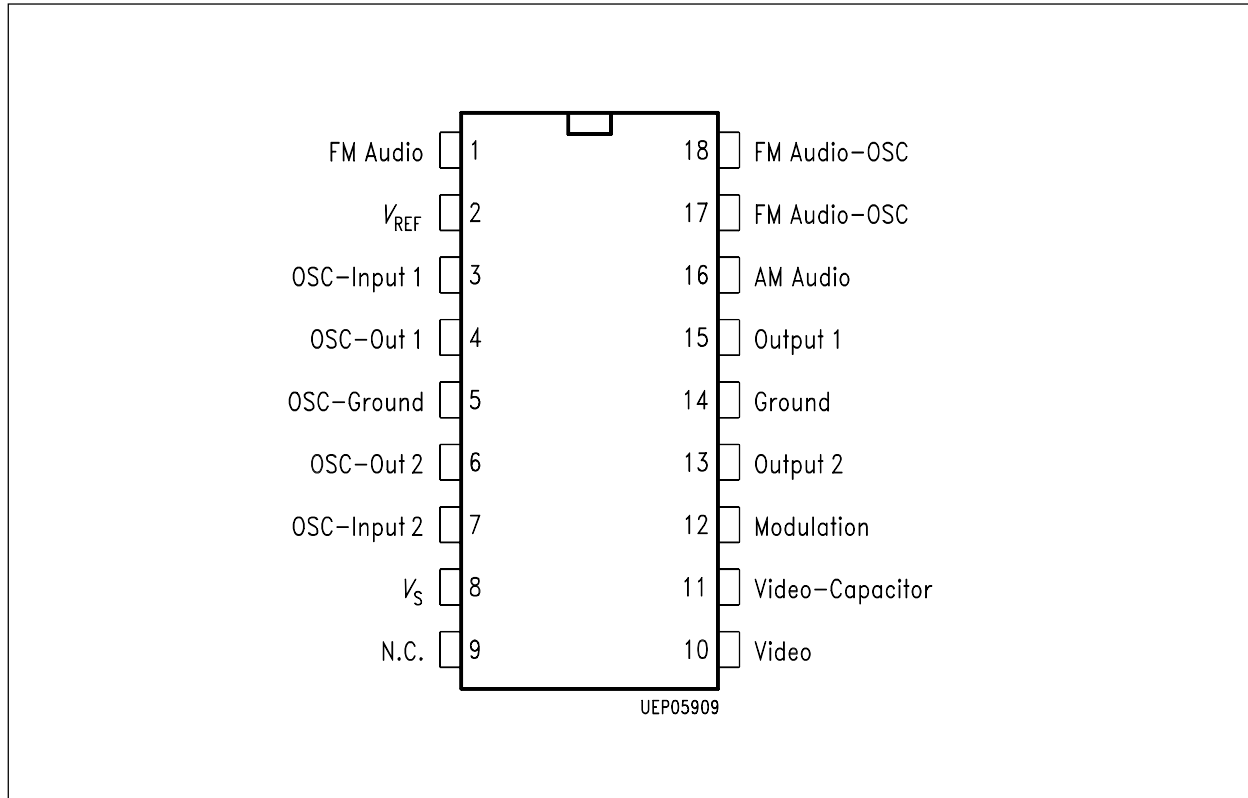
The video to audio carrier ratio can be changed by connecting an external voltage to pin 16, which deviates from the internal reference voltage.

At the output of the above described mixer the FM modulated audio signal is added to the video signal and mixed with the oscillator signal in the RF-mixer.

### Source

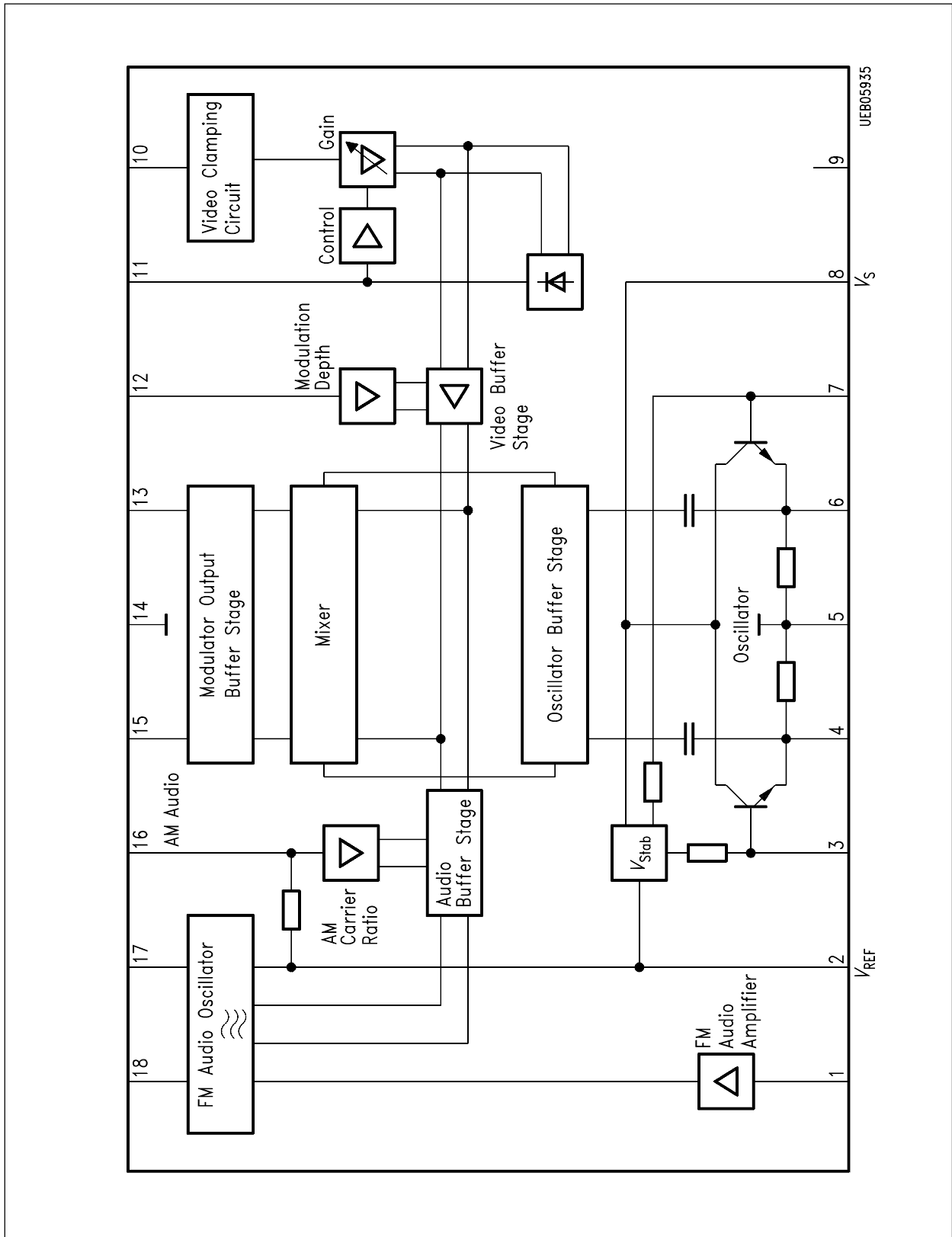
The internal reference voltage is available at pin 2 and has to be capacitively blocked there.

**Pin Configuration**  
(top view)



## Pin Definitions and Functions

Pin No.	Symbol	Function
1	FM-Audio	AF-input for FM-modulation
2	$V_{REF}$	Internal reference voltage (7.5 V)
3	OSC-Input 1	Symmetrical oscillator input
4	OSC-Out 1	Symmetrical oscillator output
5	OSC-Ground	Oscillator ground
6	OSC-Out 2	Symmetrical oscillator output
7	OSC-Input 2	Symmetrical oscillator input
8	$V_S$	Supply voltage (12 V)
9	N.C.	Not connected
10	Video	Video input with clamping
11	Video-Capacitor	Connection for smoothing capacitor for video control loop
12	Modulation	Switch-over for positive and negative modulation
13	Output 2	Symmetrical RF-output
14	Ground	Ground
15	Output 1	Symmetrical RF-output
16	Audio carrier ratio	Video to audio carrier ratio adjustment
17	FM-Audio OSC	FM-audio oscillator; symmetrical inputs for tank circuit
18	FM-Audio OSC	FM-audio oscillator; symmetrical inputs for tank circuit



Block Diagram

**Absolute Maximum Ratings**

$T_A = 0$  to  $70$  °C

Parameter	Symbol	Limit Values			Unit	Remarks
		min.	typ.	max.		
Supply voltage pin 8	$V_S$	- 0.3		14.5	V	
Current from pin 2	$-I_2$	0		2	mA	$V_2 = 7-8$ V $V_S = 10-13.5$ V
Voltage at pin 1	$V_1$	0		2	V	only via C (max. 1 $\mu$ F)
Voltage at pin 2	$V_2$	6		8.5	V	
Voltage at pin 10	$V_{10}$	0		1.5	Vpp	
Capacitance at pin 2	$C_2$	0		100	nF	
Capacitance at pin 11	$C_{11}$	0		15	$\mu$ F	
Voltage at pin 12	$V_{12}$	- 0.3		1.4	V	$V_S = 10-13.5$ V
Voltage at pin 13	$V_{13}$	$V_2$		$V_S$	V	
Voltage at pin 15	$V_{15}$	$V_2$		$V_S$	V	
Voltage at pin 16	$V_{16}$	$V_2 - 1.5$		$V_S + 1.5$	V	

According to the application circuit, only the provided circuitry can be connected to pins 3,4,6,7,17 and 18.

Junction temperature	$T_j$			150	°C	
Storage temperature	$T_{stg}$	- 40		125	°C	
Thermal resistance	$R_{th}$			80	K/W	

**Operating Range**

Supply voltage	$V_S$	10		13.5	V	
Video input frequency	$f_{Video}$	0		6	MHz	
Audio input frequency	$f_{AF}$	0		20	kHz	
Output frequency	$f_Q$	30		860	MHz	depending on the oscillator circuitry at pins 3-7
Ambient temperature	$T_A$	0		70	°C	
Audio oscillator	$f_{OSC}$	4		7	MHz	
Voltage at pin 2	$V_2$	6.75		7.75	V	
Voltage at pin 13,15	$V_{13, 15}$	$V_2$		$V_S$	V	

## AC/DC-Characteristics

$T_A = 25\text{ }^\circ\text{C}$ ;  $V_S = 12\text{ V}$

Parameter	Symbol	Limit Values			Unit	Test Condition	Test Circuit
		min.	typ.	max.			

### Source

Current consumption	$I_8$	15	20	26	mA	$I_2 = 0\text{ mA}$	1
Current consumption	$I_{13} + I_{15}$	2.0	2.6	3.4	mA		
Reference voltage	$V_2$	6.75	7.25	7.75	V	$0 \leq I_2 \leq 1\text{ mA}$	1

### Oscillator

Oscillator frequency range	$f_{OSC}$	30		860	MHz	external circuitry adjusted to frequency	
----------------------------	-----------	----	--	-----	-----	--	--

Switch-on, warm up drift; ( $T_C$ -value of capacitor in osc. circuit is 0) drift is referenced only to selfheating of the component.

	$\Delta f_{OSC}$	0	- 50	- 500	kHz	$t = 0.5-10\text{ s}$ ; $T_A = \text{const.}$	1
		0	- 200	- 500	kHz		1
					Ch 30		
					Ch 40		
Frequency drift as function of $V_S$	$\Delta f_{OSC}$	-150		150	kHz	$V_S = 10-13.5\text{ V}$ $T_A = \text{const.}$ ; Ch 40	1
RF-output impedance	$R_{13}, R_{15}$	10			k $\Omega$	parallel equivalent circuit	1
	$C_{13} = C_{15}$	0.5	1	2.0	pF	parallel equivalent circuit	1
RF-output voltage	$V_Q$	2.5	4.5	5.5	mVrms	Ch 40; video 100% white; without audio-signal	1
RF-output phase	$\alpha_{13, 15}$	140	180	220	deg		
RF-output voltage changes	$\Delta V_Q$	0		1.5	dB	$f = 543-623\text{ MHz}$ Ch 30...40	1
	$\Delta V_Q$	0		1.5	dB	$f = 100-300\text{ MHz}$	1
	$\Delta V_Q$	0		1.5	dB	$f = 48-100\text{ MHz}$	1
Intermodulation ratio	$\alpha_{IMR}$	50	75		dB	$f_{VC} + 1.07\text{ MHz}$	2
Harmonic wave ratio	$\alpha_O$	35			dB	$f_{VC} + 8.8\text{ MHz}$ without video	2

## AC/DC-Characteristics (cont'd)

$T_A = 25\text{ }^\circ\text{C}$ ;  $V_S = 12\text{ V}$

Parameter	Symbol	Limit Values			Unit	Test Condition	Test Circuit
		min.	typ.	max.			

Unmodulated video and audio carrier, measured with the spectrum analyzer as difference between video carrier signal level and sideband signal level; loaded  $Q$  factor  $Q_L$  of the audio oscillator resonance circuit adjusted by  $R_P$  to provide the required video to audio carrier ratio of 12.5 dB;  $Q_U = 25$

Video to audio carrier ratio	$\alpha_{V/A}$	10	12.5	15	dB	$f_{VC} + f_{AC}$ (5.5 MHz)	1
Harmonic wave ratio	$\alpha_O$	35	48		dB	$f_{VC} + 2f_{AC}$ (11 MHz)	1
Harmonic wave ratio	$\alpha_O$	42	48		dB	$f_{VC} + 3f_{AC}$ (16.5 MHz)	1

All remaining harmonic waves; multiple of fundamental wave of video carrier, without video signal, measured with spectrum analyzer;  $f_{VC} = 523.25\text{--}623.25\text{ MHz}$ ; pin 12 open

	$\alpha$	15			dB		1
Residual carrier suppression	$\alpha_R$	32			dB	Ch 30...40	3
Signal-to-noise in video; unmodulated audio carrier	$\alpha_{N/V}$	48	74		dB	Ch 30...40	4
Interference product ratio audio in video FM-modulation of audio carrier	$\alpha_{A/V}$	48	60		dB	Ch 30...40	4
Unweighted FM-interference level ratio video in audio	$\alpha_{V/A}$	48	54		dB	Ch 39; test picture FuBK	5
Signal-to-noise ratio of audio oscillator	$\alpha_{N/A}$	48	54		dB	FM-audio carrier	5

## Video

Video input current at pin 10	$-I_{10}$	0		1	$\mu\text{A}$	$C_{10} \leq 100\text{ nF}$	1
Video input voltage at pin 10	$V_{10}$	0.7		1.4	Vpp	$C_{10} \leq 100\text{ nF}$	1
Modulation depth	$m_{D/N}$	60	70	80	%	staircase signal at video input; $V_{\text{Video}} = 1\text{ Vpp}$	6



**AC/DC-Characteristics** (cont'd)

$T_A = 25\text{ }^\circ\text{C}$ ;  $V_S = 12\text{ V}$

Parameter	Symbol	Limit Values			Unit	Test Condition	Test Circuit
		min.	typ.	max.			
Stability of mod. depth	$\Delta m_D$		1	$\pm 2.5$	%	$\Delta V_{\text{Video}} = 1\text{ Vpp}$ $\pm 3\text{ dB}$ ; $T_A = 0\text{-}60\text{ }^\circ\text{C}$	6
	$\Delta m_D$		1	$\pm 2.5$	%	$T_A = 0\text{-}60\text{ }^\circ\text{C}$	6
	$\Delta m_D$		1	$\pm 2.5$	%	$V_S = 10\text{-}13.5\text{ V}$	6
Differential gain	$\alpha_{\text{dif}}$			10	%		7
Differential phase	$\Phi_{\text{dif}}$			15	deg	measured with measurement demodulator, video test signals and vector scope	7

Amplitude response of video signal;  $V_{\text{Video}} = 1\text{ Vpp}$  with additional modulation  $f = 15\text{ kHz}$ -5 MHz sine signal between black and white

	$\alpha_V$	0		1.5	dB		8
--	------------	---	--	-----	----	--	---

Period of time required for peak white detector to reach steady state for full modulation depth with 1-white pulse per half frame when control is already in the steady state

	$t$		6	50	$\mu\text{s}$	$C$ at pin 11 = 10 $\mu\text{F}$ ; $I_{\text{leakage}} \leq 2\text{ }\mu\text{A}$	1
--	-----	--	---	----	---------------	--	---

Setting time for video signal change from 0 Vpp to 1.4 Vpp; video blanking signal content is uniform white level

	$t$		120	500	$\mu\text{s}$		1
--	-----	--	-----	-----	---------------	--	---

Setting time for video blanking signal from 100% white level to 42% grey level with subsequent rise in grey level to 71% of video blanking signal (due to decontrol process)

	$t$	0.4	2	10	min		1
--	-----	-----	---	----	-----	--	---

**Audio**

Audio oscillator frequency range; unloaded  $Q$  factor of resonance circuit  $Q_u = 25$ ;

$f_{\text{resonance}} = 5.5\text{ MHz}$

	$f_{\text{A/OSC}}$	4		7	MHz		1
--	--------------------	---	--	---	-----	--	---

Switch-on, warm-up drift of oscillator frequency;  $T_C$ -value of capacitor in audio oscillator circuit is 0, the drift is only based on self-heating of component

	$\Delta f_{\text{A/OSC}}$		5	15	kHz	$T_A = \text{const.}$ ;	1
--	---------------------------	--	---	----	-----	-------------------------	---

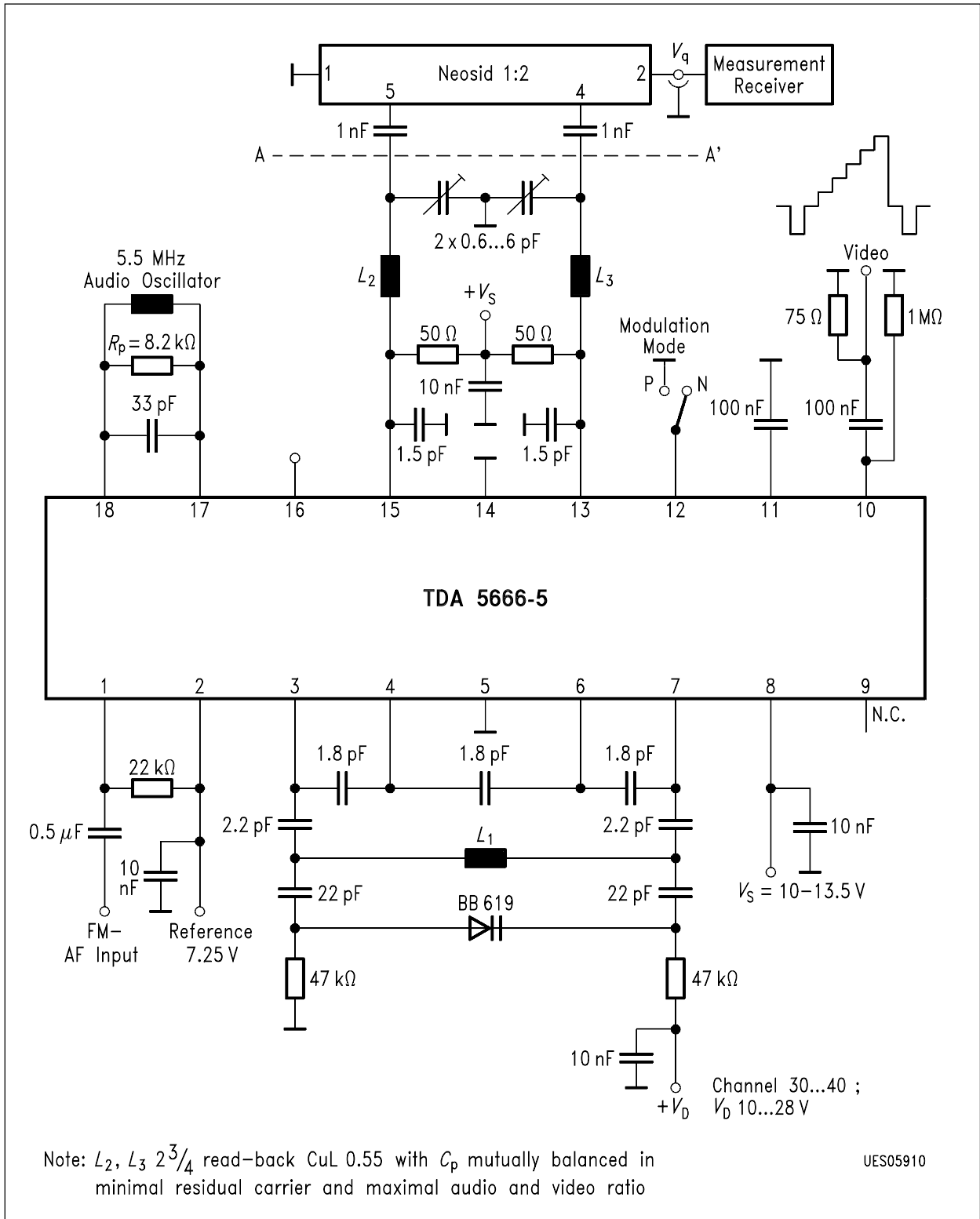
Audio signal frequency deviation	$\Delta f_{\text{A/OSC}}$		5	10	kHz	$V_S = 10.0\text{-}13.5\text{ V}$ ; $Q_u = 25$	1
----------------------------------	---------------------------	--	---	----	-----	---	---

FM-mod.; total harmonic distortion	$THD_{\text{FM}}$		0.6	1.5	%	$V_1 = 150\text{ mVrms}$	9
------------------------------------	-------------------	--	-----	-----	---	--------------------------	---

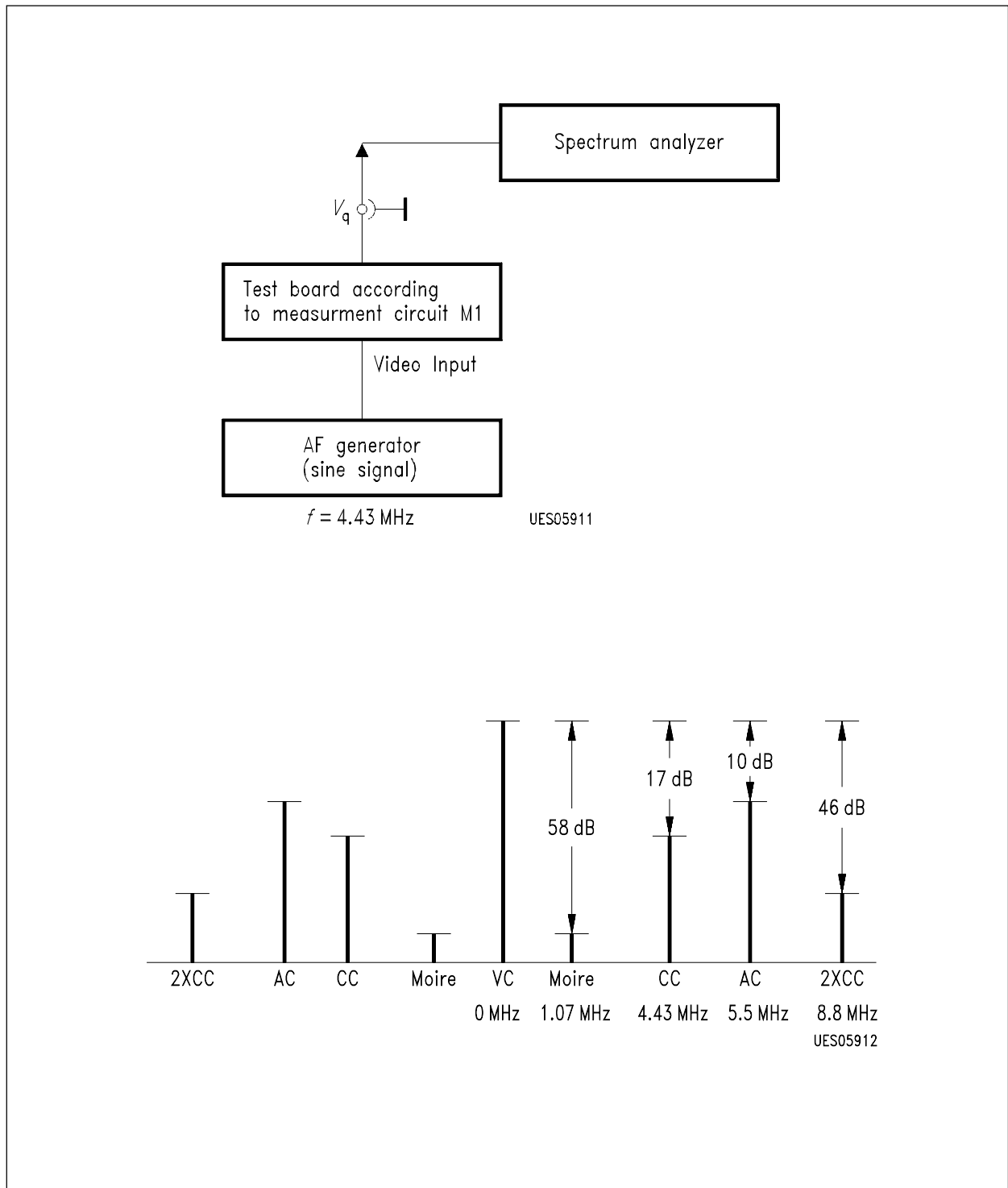
### AC/DC-Characteristics (cont'd)

$T_A = 25\text{ }^\circ\text{C}$ ;  $V_S = 12\text{ V}$

Parameter	Symbol	Limit Values			Unit	Test Condition	Test Circuit
		min.	typ.	max.			
FM-mod.; static mod. characteristic	$\Delta f_{A/OSC}$	$\pm 150$	$\pm 210$	$\pm 270$	kHz	$\Delta V_{AF} = V_1 - V_2 = \pm 1\text{ V}$	1
FM-mod.; dynamic mod. characteristic	$\frac{\Delta f_{A/OSC}}{\Delta V_{AF}}$	0.25	0.32	0.39	kHz/ mV		1
Audio preamplifier input impedance (dynamic)	$Z_1$	200			k $\Omega$		1



**Test Circuit 1**  
**Test and Measurement Circuit for FM-Audio Carrier and Negative Video Modulation**

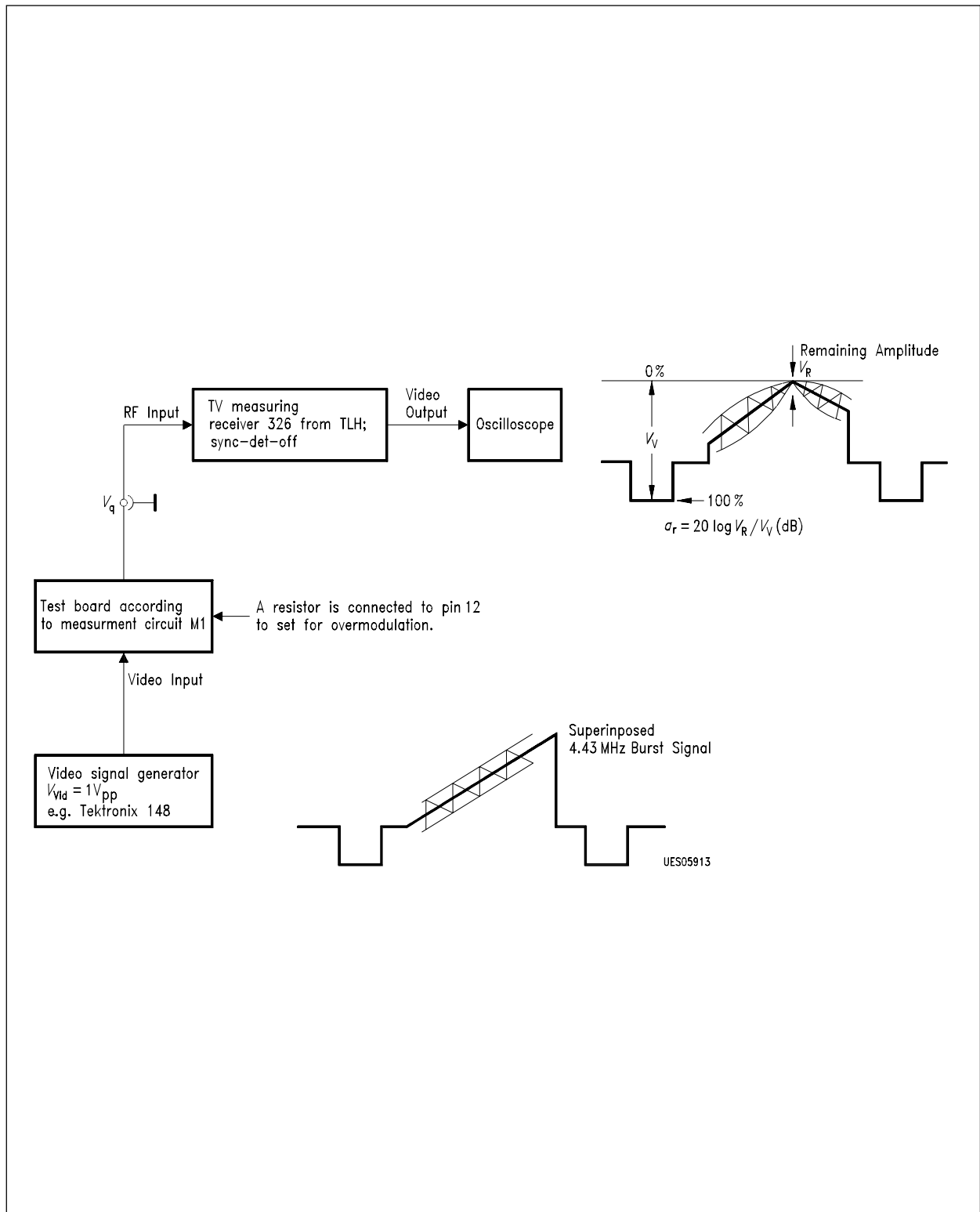


**Test Circuit 2**

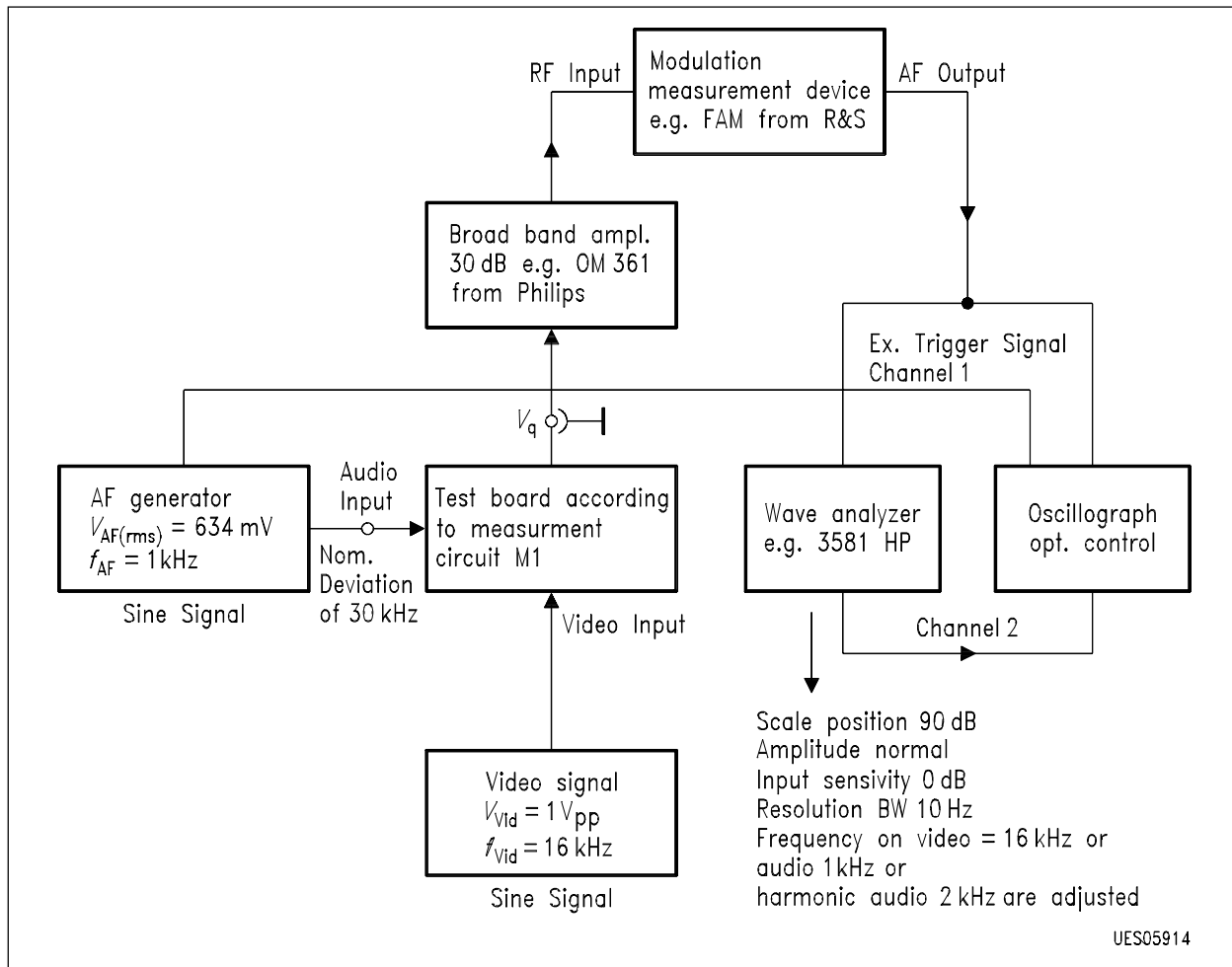
**Description of the Measurement Configuration to Measure the 1.07-MHz Moire**

CC-level lies below the activation point and has been set to provide a ratio of 17 dB with respect to the video carrier.

$f_{VC} = 623.25 \text{ MHz}$



**Test Circuit 3**  
**Description of the Measurement Configuration to Measure the Residual Carrier Suppression**

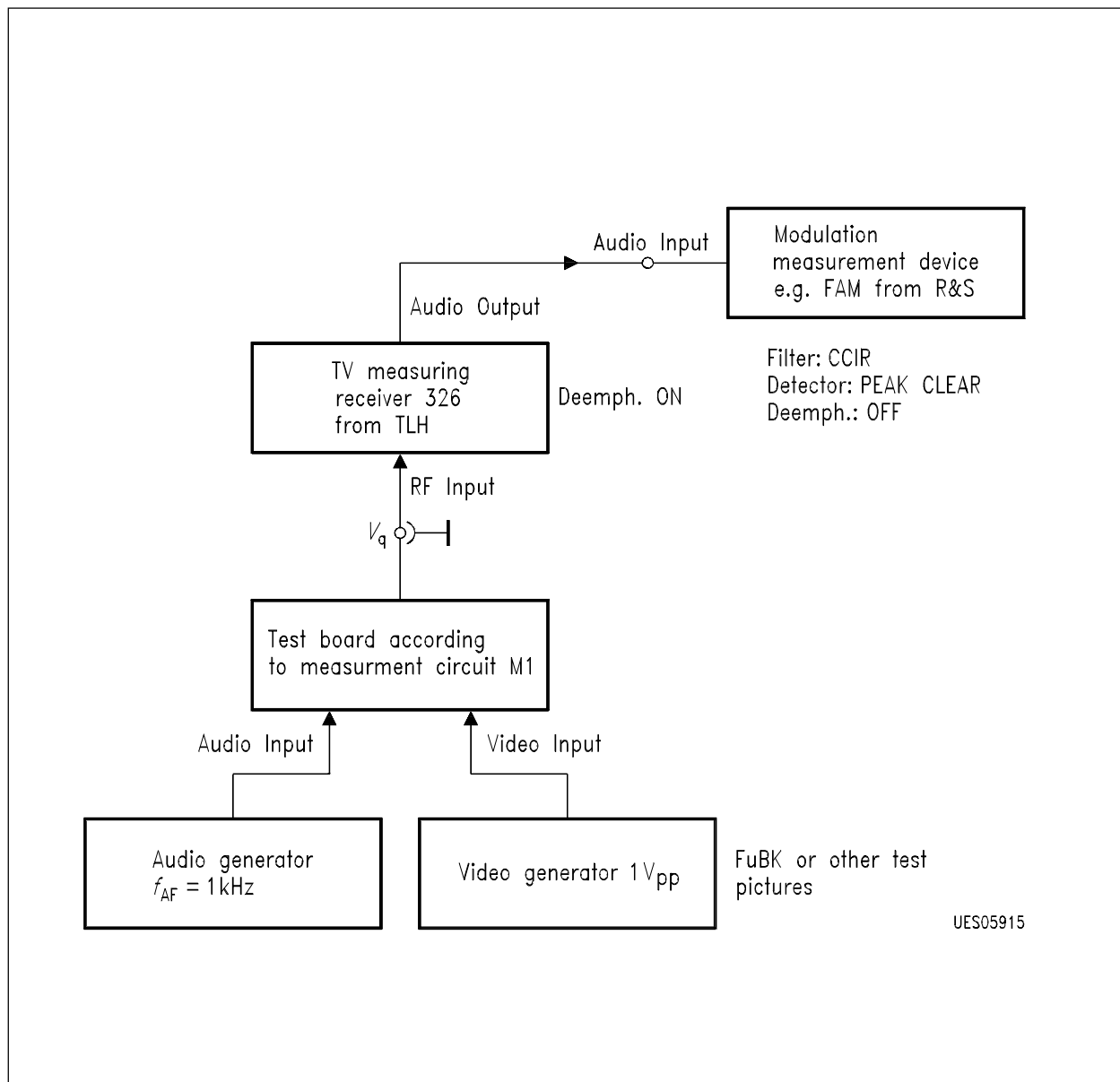


#### Test Circuit 4

#### Description of the Measurement Configuration to Measure the Audio and/or Noise in Video during FM-modulation of the Audio Carrier

**Calibration:** AF-signals are switched off, video signal is present at video input, modulation measurement device set at AM is adjusted to video carrier; filter: 300 Hz...20 kHz; detector:  $(P+P)/2$ ; Wave analyzer at video signal level (16 kHz) adjusted and resultant level as reference  $a_V$  defined.

- 1) Measurement of audio interference product ratio in video while the audio carrier FM modulated: AF-signal is connected to FM-audio input; video signal is present at video input; Modulation measurement device set at AM; filter: 300 Hz...20 kHz; detector:  $(P+P)/2$ ; the automatic RF-level position of the measurement device is switched off; wave analyzer at video signal level 1 kHz or 2 kHz or 3 kHz adjusted and resultant level is set to  $a_A$ . The audio noise ratio in video results from  $a_{A/V} = a_A - a_V$  (dB).
- 2) Measurement of signal-to-noise ratio in video without FM-modulation of audio carrier: AF-signals are switched off; video signal is switched on; modulation measurement device set at AM; filter: 300 Hz...3 kHz; detector:  $RMS \times \sqrt{2}$ ; Wave analyzer at video signal level (16 kHz) detuned; read out in dB to reference level of calibration is  $a_{N/V}$ ;
- 3) The noise limit of the measurement device is approx. 85 dB.



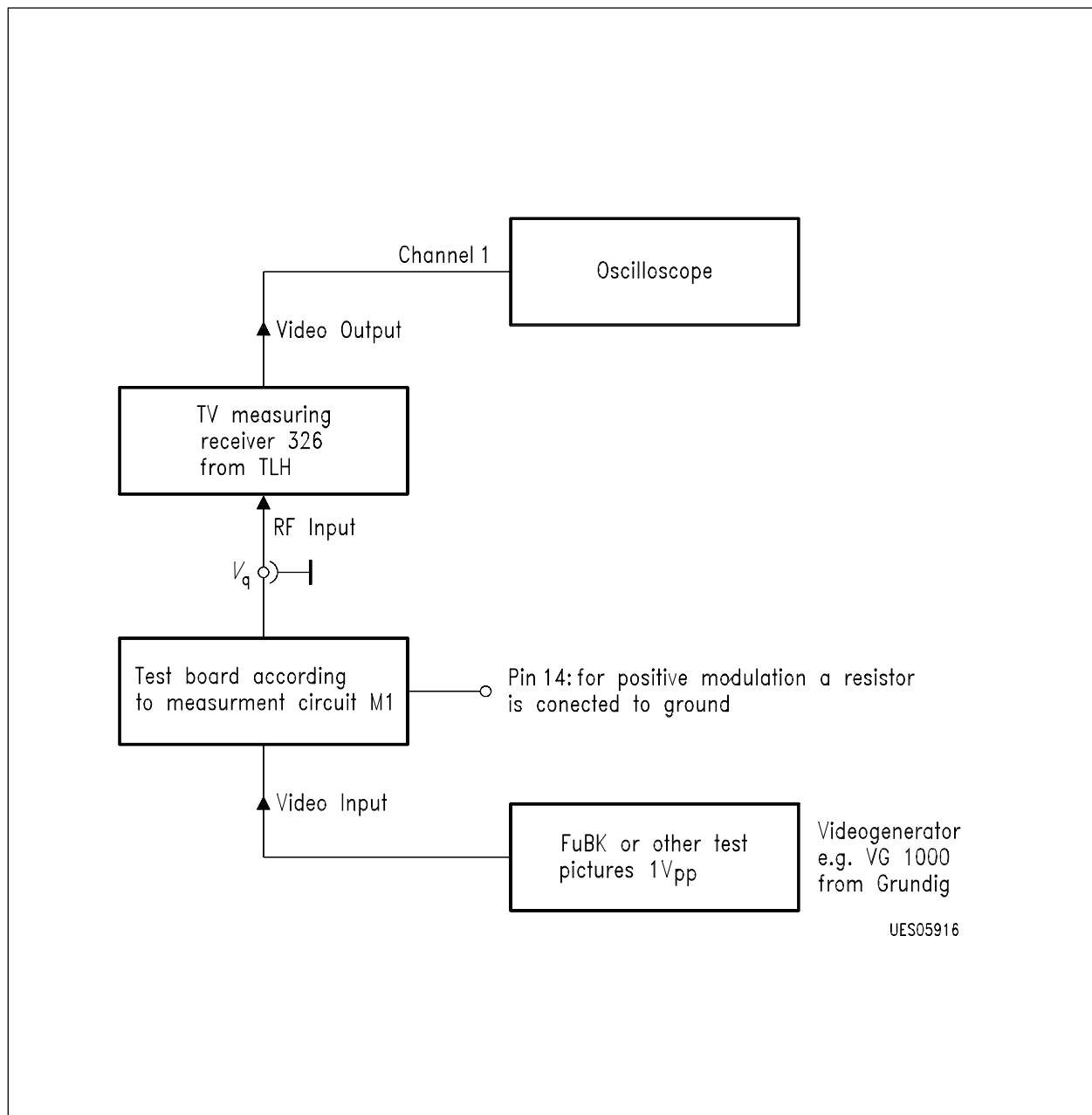
### Test Circuit 5

#### Description of the Measurement Configuration to Measure the Video and/or Noise in Audio

**Calibration:** AF-signal of  $f = 1 \text{ kHz}$ , corresponding with a nominal deviation of 30 kHz, is connected to the audio input, and the demodulated AF-reference level at the audio measurement device is defined as 0 dB. No video signal is present.

**Measuring:** 1) The AF-signal is switched off and the FuBK-video signal is connected to the video input with  $V_{vid} = 1 V_{pp}$ . The audio level in relation to the AF-reference calibration level is measured as ratio  $a_{V/A}$ .

2) AF- and video signal are switched off. The noise ratio in relation to the AF-reference calibration level is measured as signal-to-noise ratio in the audio signal  $a_{N/A}$ .



### Test Circuit 6

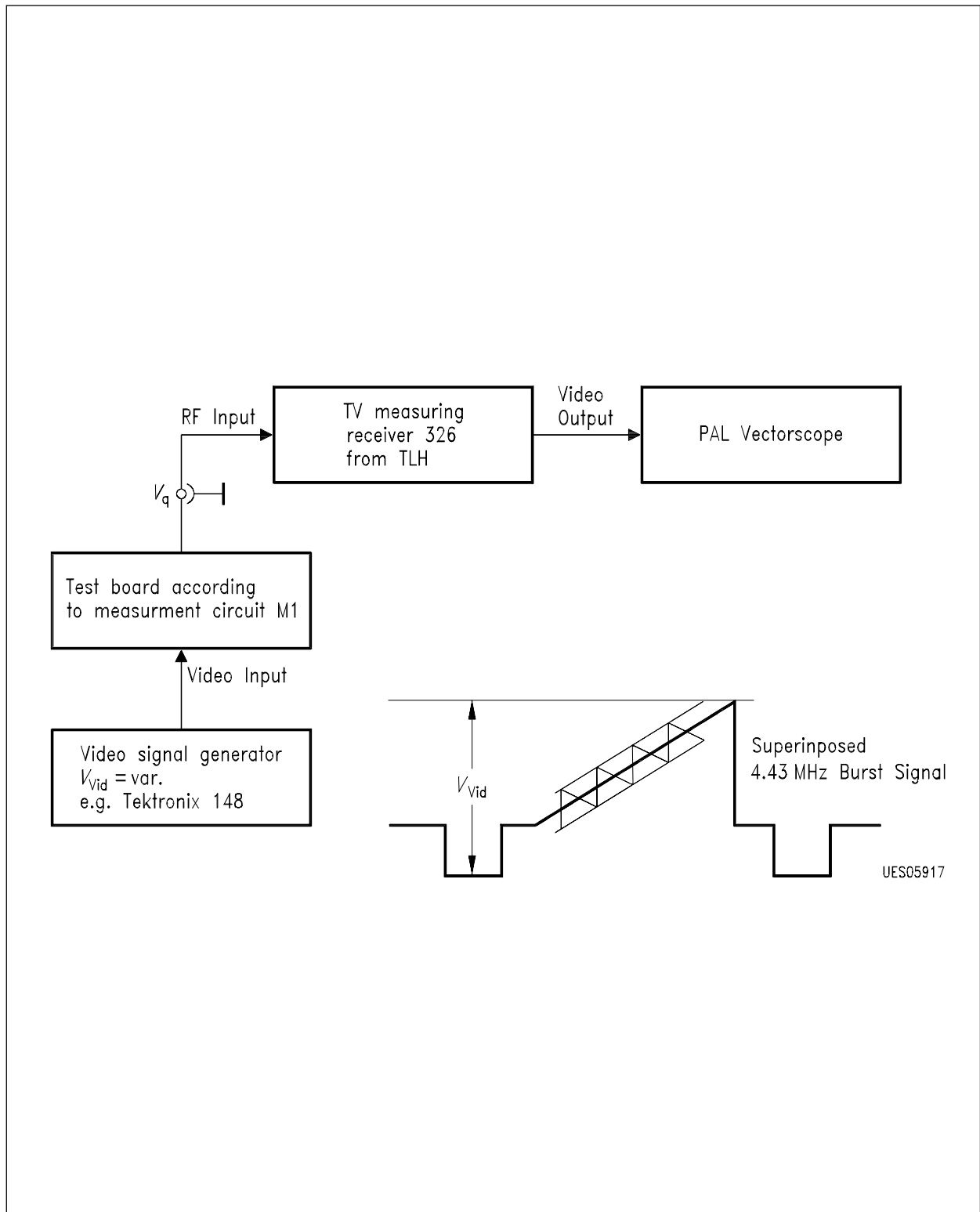
#### Description of the Measurement Configuration to Measure the Modulation Depth for Positive and Negative Modulation

**Calibration:** A zero reference signal with the TV-measuring receiver is given to the video signal. A video signal with  $V_{vid} = 1 V_{pp}$  is connected to the video input.

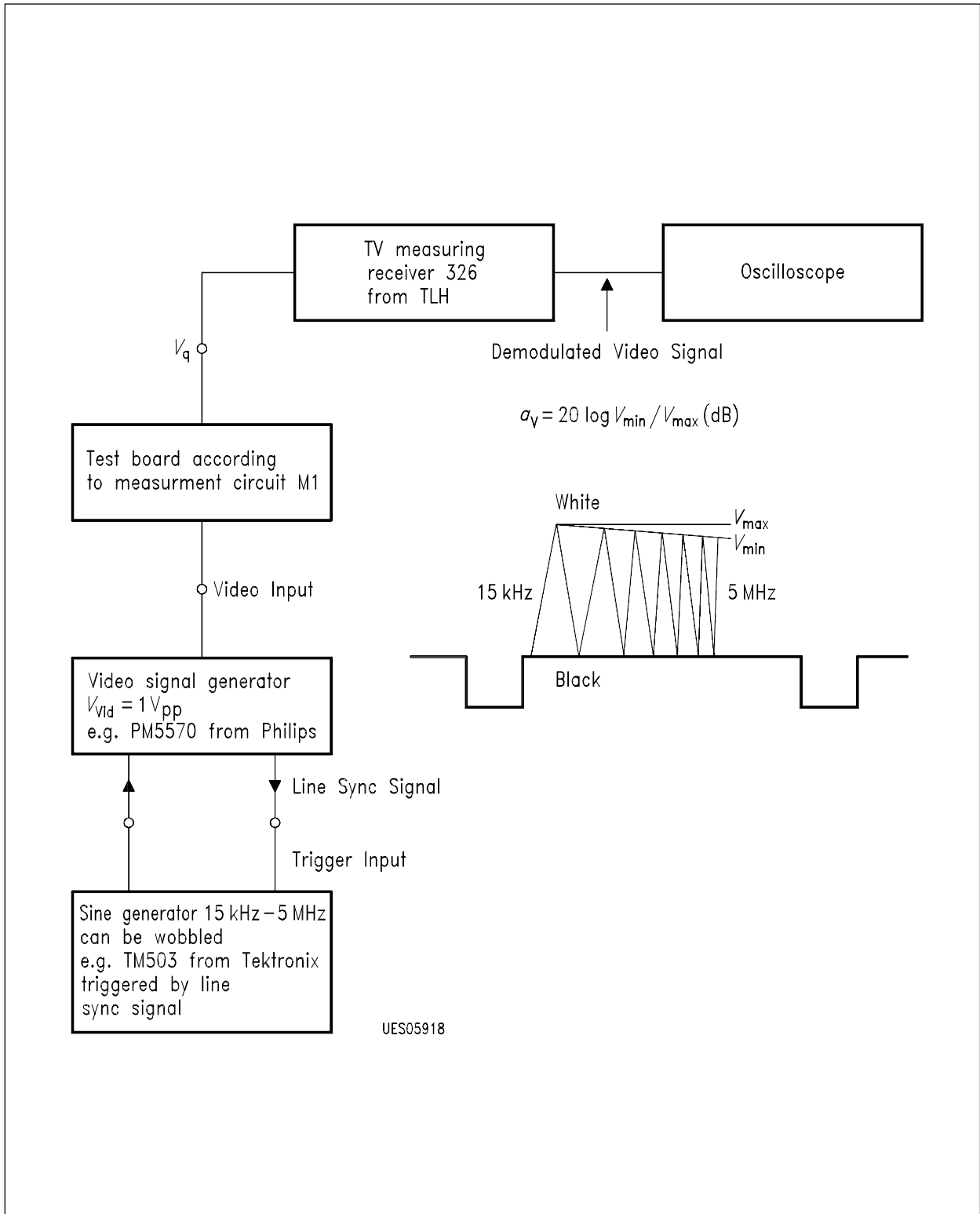
**Measuring:**

- 1) Modulation depth  $m_{D/N}$  for negative modulation: pin 12 open, range peak white value – sync level in relation to range zero reference – sync level gives  $m_{D/N}$ .
- 2) Modulation depth  $m_{D/P}$  for positive modulation: pin 12 to ground, range peak white value – sync level in relation to range zero reference – peak white value gives  $m_{D/P}$ .

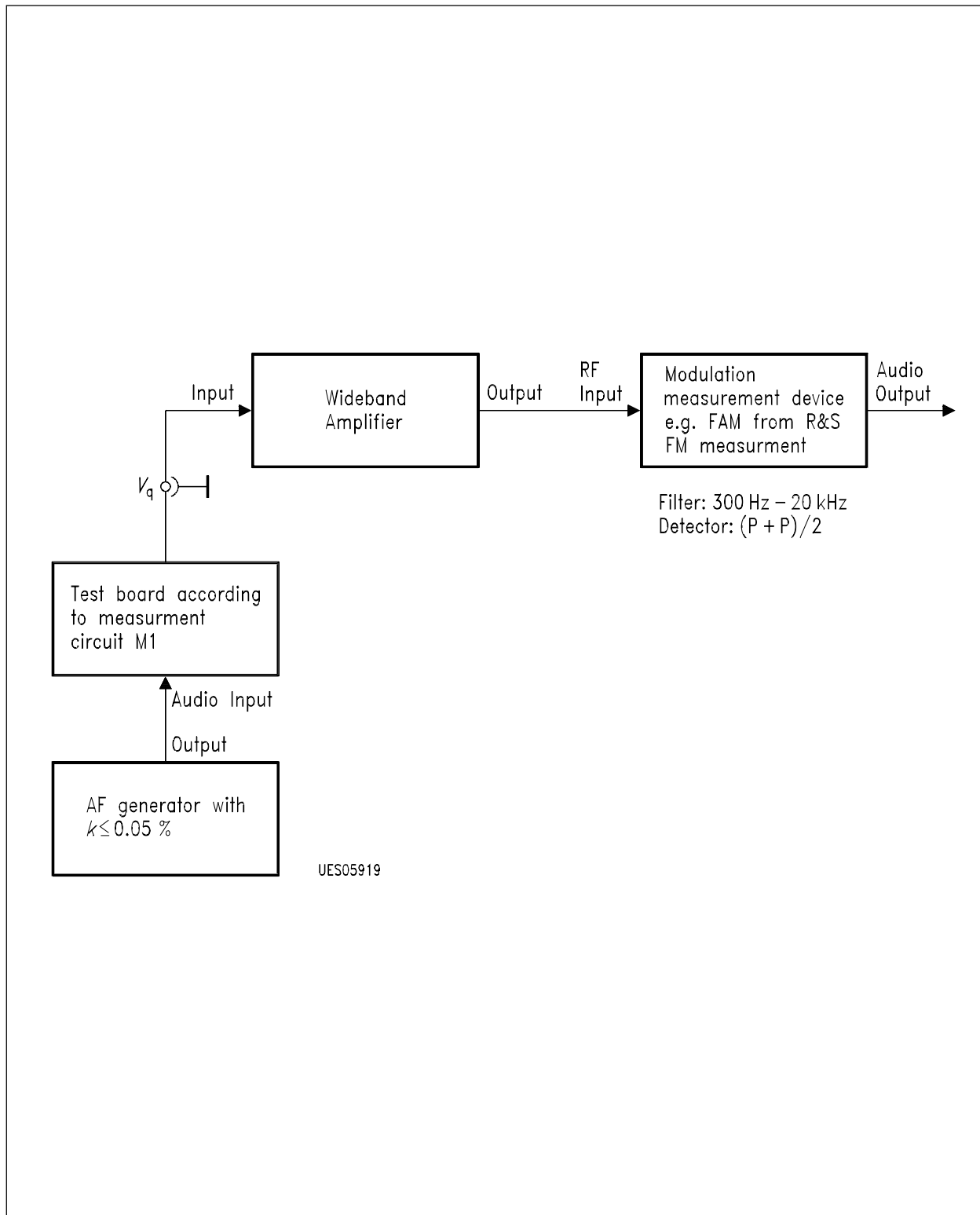




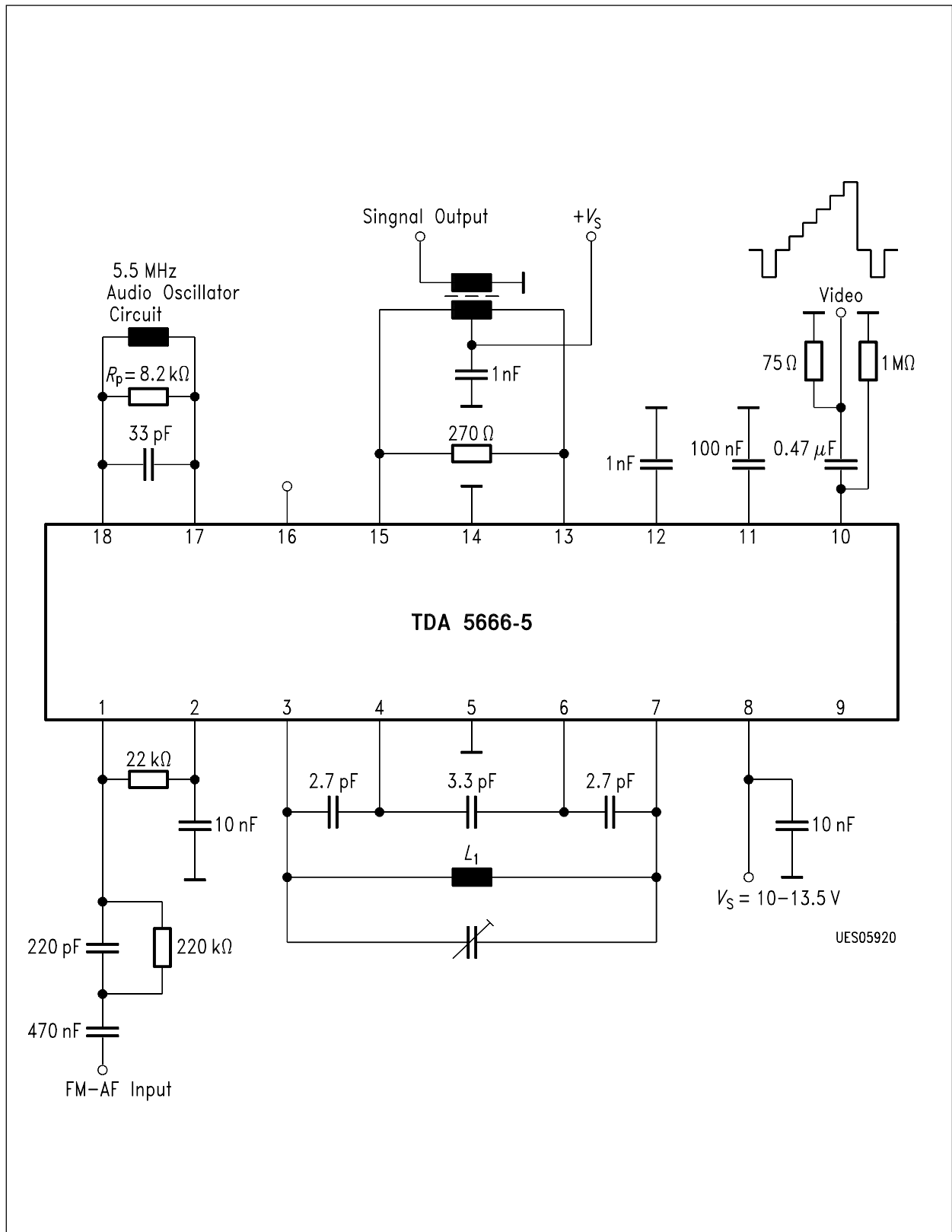
**Test Circuit 7**  
**Description of the Measurement Configuration to Measure the Differential Gain and Phase**



**Test Circuit 8**  
**Description of the Measurement Configuration to Measure the Video Amplitude Response**



**Test Circuit 9**  
**Description of the Measurement Configuration to Measure the Harmonic Distorsion Factor**

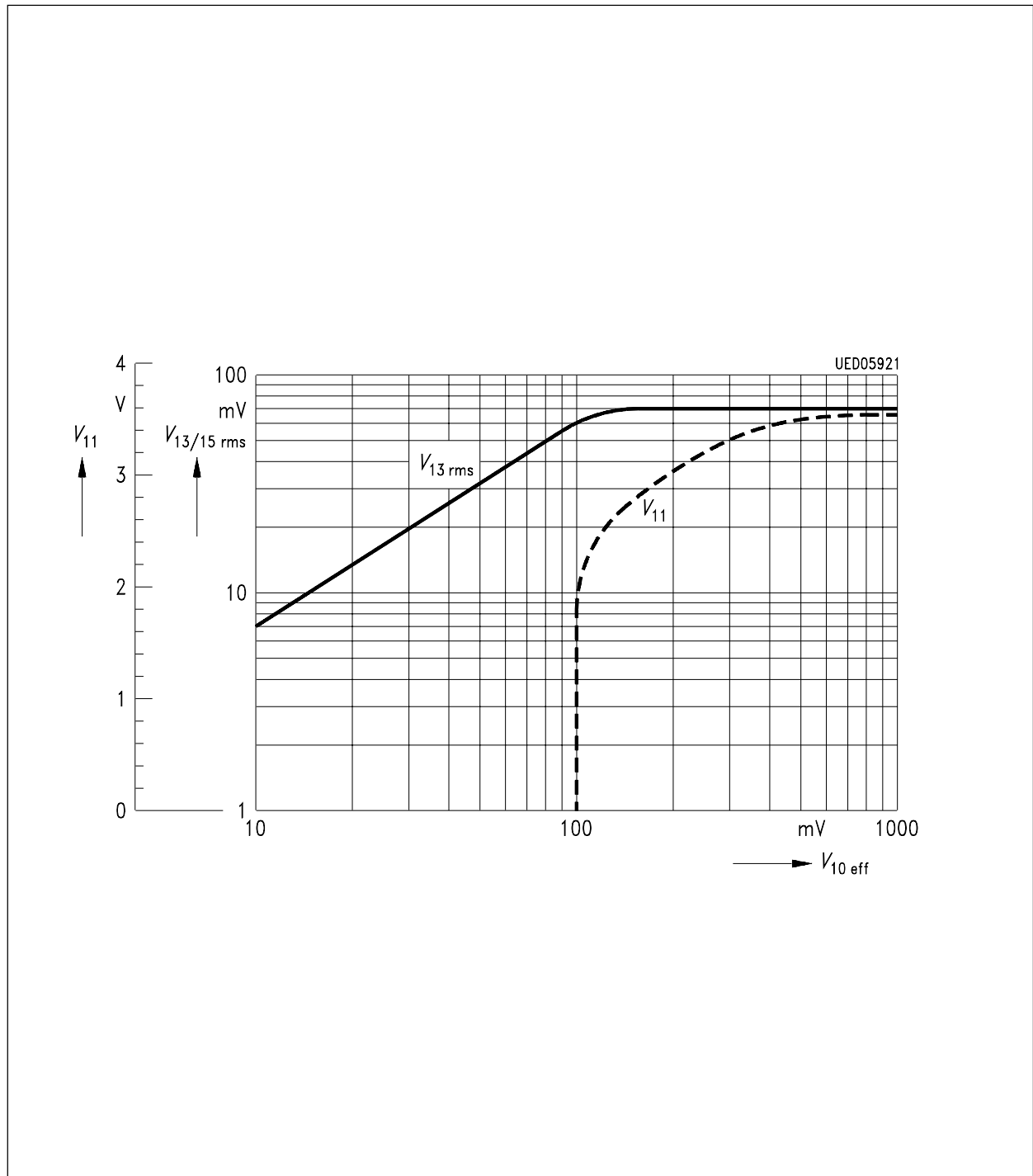


Application Circuit

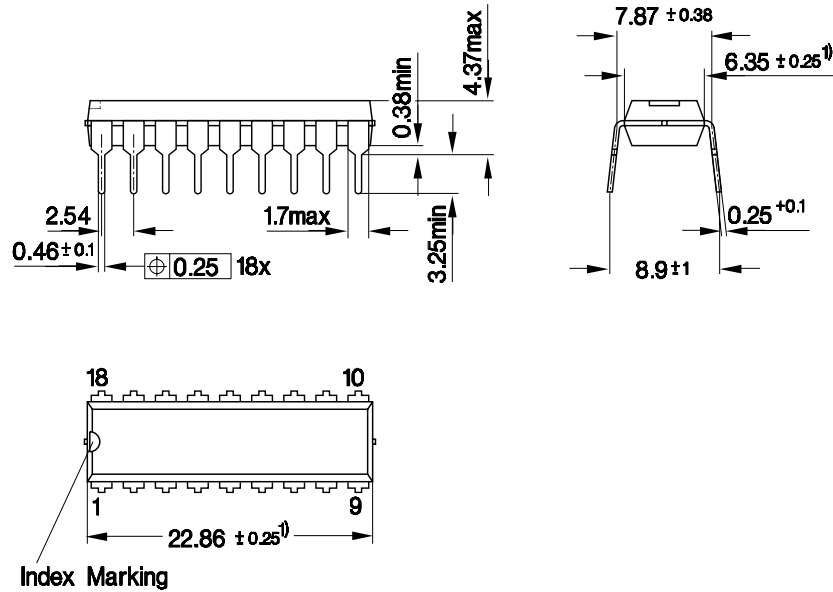
Diagram

Function of Video Signal Connection

- a) Demodulated RF-output video signal  $V_{13/15rms} = f(V_{10rms}); f_{mod} = 16 \text{ kHz}$
- b)  $V_{11} = f(V_{10rms})$



**Plastic Package, P-DIP-18-5**  
(Plastic Dual In-Line Package)



1) Does not include plastic or metal protrusion of 0.25 max. per side

GPS05586

**Sorts of Packing**

Package outlines for tubes, trays etc. are contained in our Data Book "Package Information"

Dimensions in mm

This datasheet has been download from:

[www.datasheetcatalog.com](http://www.datasheetcatalog.com)

Datasheets for electronics components.